

# FUJITSU



## 14 SEER HEAT PUMPS

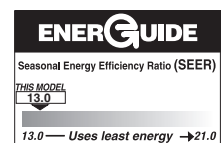
### Features

- Coils constructed with copper tubing and enhanced aluminum fins.
- Includes factory installed low pressure control.
- Strong, attractive cabinet—louvered design protects the coil from damage.
- Expansion Valves with Internal Check Valve—Provides for quieter refrigerant metering.
- Demand Defrost Control
- Non-Cycling Reversing Valve
- Hot Gas Muffler
- Service Valves
- Grille/motor mount for quiet fan operation.
- Easily accessible control box.
- Bi-Directional Filter Drier (shipped – not installed)
- Certified and rated under AHRI Standard 240.
- U.L listed.

### WP14 SERIES

Nominal Sizes 1.5 to 5 Tons [5.28 to 17.6 kW]  
Efficiency 14 SEER/11.5 EER/8.5 HSPF

Manufactured for  
**Fujitsu General America, Inc.**  
Fairfield, NJ



## TABLE OF CONTENTS

Model Number Identification .....	3
Available SKUs .....	3
Electrical & Physical Data .....	4
Weighted Sound Power .....	4
Unit Dimensions.....	5
Refrigerant Line Size Information .....	6-10
Performance Data .....	11
Limited Warranty .....	12

# Heat Pumps\*\*

<u>W</u>	<u>P</u>	<u>14</u>	<u>24</u>	<u>A</u>	<u>J</u>	<u>1</u>	<u>N</u>	<u>A</u>	<u>*</u>
Brand	Product Category	SEER	Capacity BTU/HR	Major Series*	Voltage	Type	Controls	Minor Series**	Option Code
Fujitsu	P - Heat Pump	14 - 14 SEER	18 - 18,000 [5.28 kW] 24 - 24,000 [7.03 kW] 30 - 30,000 [8.79 kW] 36 - 36,000 [10.55 kW] 42 - 42,000 [12.31 kW] 48 - 48,000 [14.07 kW] 60 - 60,000 [17.58 kW]	A - 1st Design B - 2nd Design	J - 1ph, 208-230/60	1 - Single-stage	N - Non-Communicating	A - 1st Design	FGA

[ ] Designates Metric Conversions

## Available SKUs

Available Models
WP1418BJ1NAFGA
WP1424AJ1NAFGA
WP1430AJ1NAFGA
WP1436AJ1NAFGA
WP1442AJ1NAFGA
WP1448AJ1NAFGA
WP1460AJ1NAFGA

## Electrical and Physical Data

Model Number WP14	ELECTRICAL							PHYSICAL					
	Phase Frequency (Hz) Voltage (Volts)	Compressor		Fan Motor Full Load Amperes (FLA)	Minimum Circuit Ampacity Amperes	Fuse or HACR Circuit Breaker		Outdoor Coil			Refrig. Per Circuit Oz. [g]	Weight	
		Rated Load Amperes (RLA)	Locked Rotor Amperes (LRA)			Minimum Amperes	Maximum Amperes	Face Area Sq. Ft. [m²]	No. Rows	CFM [L/s]		Net Lbs. [kg]	Shipping Lbs. [kg]
Rev. 11/29/2016													
18	1-60-208-230	9/9	48	0.5	13/13	15/15	20/20	13.72 [1.27]	1	2590 [1222]	100 [2835]	154 [69.9]	164 [74.4]
24	1-60-208-230	12.8/12.8	58.3	0.5	17/17	20/20	25/25	11.06 [1.03]	1	2370 [1118]	79 [2240]	145 [65.8]	152 [68.9]
30	1-60-208-230	14.1/14.1	73	0.8	19/19	25/25	30/30	13.72 [1.27]	1	2800 [1321]	97 [2750]	201 [91.2]	208 [94.3]
36	1-60-208-230	16.7/16.7	79	1.2	23/23	30/30	35/35	16.39 [1.52]	1	3575 [1687]	101 [2863]	207 [93.9]	214 [97.1]
42	1-60-208-230	17.9/17.9	112	1.2	24/24	30/30	40/40	21.85 [2.03]	1	3575 [1687]	140 [3969]	220 [99.8]	227 [103.0]
48	1-60-208-230	21.8/21.8	117	1.0	29/29	35/35	50/50	21.85 [2.03]	1	3575 [1687]	146 [4139]	223.5 [101.4]	230.5 [104.6]
60	1-60-208-230	26.4/26.4	134	1.7	35/35	45/45	60/60	21.85 [2.03]	2	3360 [1586]	268 [7598]	266.5 [120.9]	273.5 [124.1]

**NOTES:**

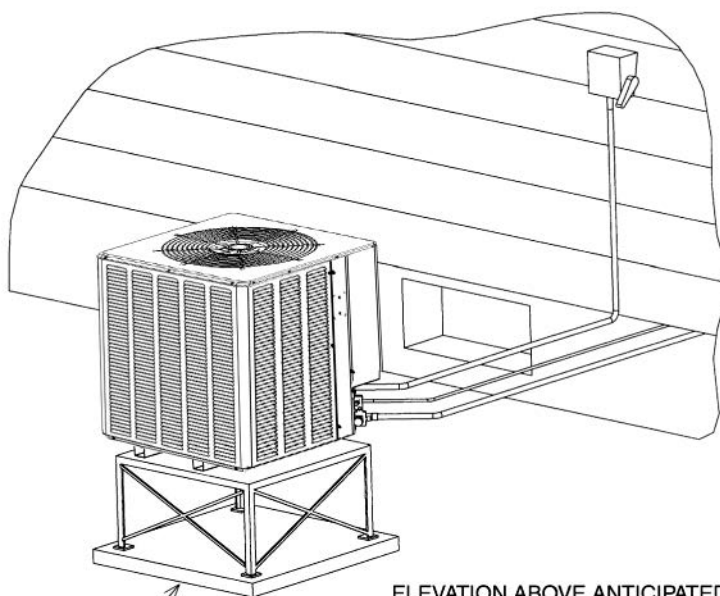
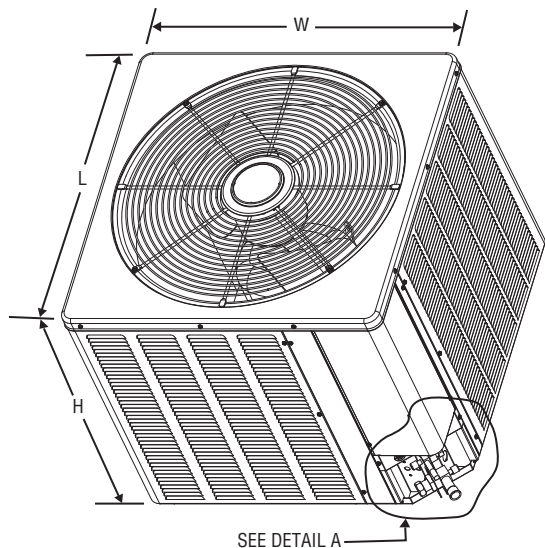
- ① 20 Fins per inch.
- ② Factory charged for 15 ft. line set.

[ ] Designates Metric Conversions

## Weighted Sound Power Level (dBA)

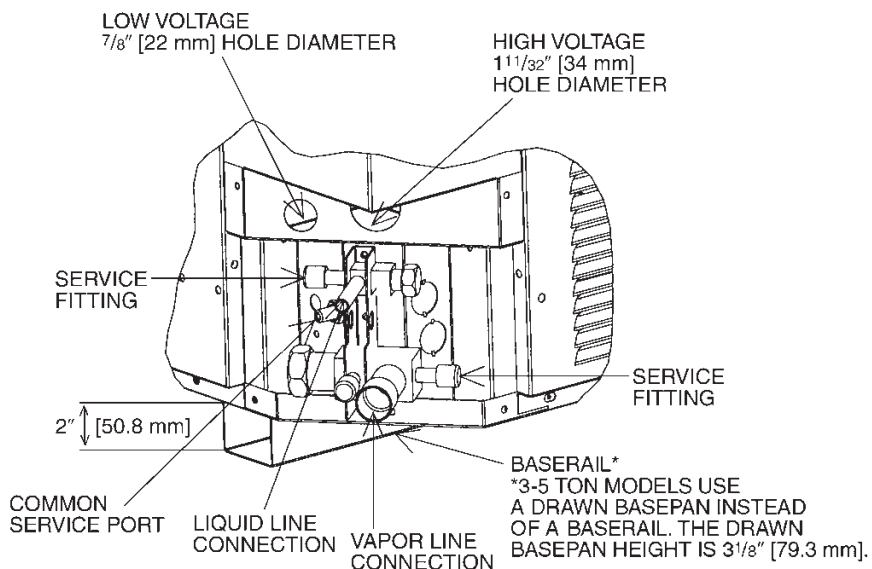
Unit Size – Voltage, Series	Standard Rating (dBA)	TYPICAL OCTAVE BAND SPECTRUM (dBA without tone adjustment)						
		125	250	500	1000	2000	4000	8000
WP1418A	75	47.6	53.8	58.6	68.8	59.8	56.9	51.6
WP1418B	77	44.9	58.3	60.8	71.6	60.0	53.0	45.4
WP1424A	72	48.0	59.7	58.7	64.5	59.0	55.9	49.6
WP1430A	76	50.0	56.6	62.5	65.6	63.3	57.9	54.5
WP1436A	74	50.9	56.5	63.8	65.2	61.7	58.2	54.6
WP1442A	77	53.3	53.4	62.7	67.0	62.9	57.2	53.1
WP1448A	74	44.5	50.2	61.1	63.9	61.7	57.2	50.8

# Unit Dimensions



BASE PAD  
(CONCRETE OR OTHER  
SUITABLE MATERIAL)

ELEVATION ABOVE ANTICIPATED  
SNOW IS NECESSARY



**DETAIL A**

MODEL NUMBER	OPERATING						SHIPPING					
	H (Height)		L (Length)		W (Width)		H (Height)		L (Length)		W (Width)	
	INCHES	mm	INCHES	mm	INCHES	mm	INCHES	mm	INCHES	mm	INCHES	mm
WP1418BJ1NA	26.25	667	27.625	702	27.625	702	26.25	667	27.625	702	27.625	702
WP1424AJ1NA	26.25	667	23.625	600	23.625	600	26.25	667	23.625	600	23.625	600
WP1430AJ1NA	26.25	667	27.625	702	27.625	702	26.25	667	27.625	702	27.625	702
WP1436AJ1NA	27.375	695	31.625	803	31.625	803	27.375	695	31.625	803	31.625	803
WP1442AJ1NA	35.375	899	31.625	803	31.625	803	35.375	899	31.625	803	31.625	803
WP1448AJ1NA	35.375	899	31.625	803	31.625	803	35.375	899	31.625	803	31.625	803
WP1460AJ1NA	35.375	899	31.625	803	31.625	803	35.375	899	31.625	803	31.625	803





# Heat Pump Refrigerant Line Size Information

R-410A System Capacity Model	Vapor Line Connection Size (Inch I.D.) [mm]	Vapor Line Size (Inch O.D.) [mm]	Vapor Line Size Capacity Multiplier Table													
			Total Equivalent Length - Feet [m]													
			25 [7.62]	50 [15.24]	75 [22.86]	100 [30.48]	125 [45.72]	150 [45.72]	175 [53.34]	200 [60.96]	225 [68.58]	250 [76.20]	275 [83.82]	300 [91.44]		
1.5 Ton	3/4" [19.06]	5/8 [15.88]	0.99	0.99	0.99	0.98	0.98	0.97	0.96	0.95	0.95	0.97	0.97	0.96	0.96	
		3/4 [19.05]	1.00	0.99	1.00	0.99	1.00	0.99	0.99	0.99	0.99	0.99	0.99	0.99	0.99	
		7/8 [22.23]	N/R	N/R	N/R	N/R	N/R	N/R	N/R	N/R	N/R	N/R	N/R	N/R	N/R	N/R
		1 [25.40]	N/R	N/R	N/R	N/R	N/R	N/R	N/R	N/R	N/R	N/R	N/R	N/R	N/R	N/R
		1-1/8 [28.58]	N/R	N/R	N/R	N/R	N/R	N/R	N/R	N/R	N/R	N/R	N/R	N/R	N/R	N/R
2 Ton	3/4" [19.06]	5/8 [15.88]	1.00	0.99	0.99	0.98	0.97	0.96	0.96	0.95	0.95	0.97	0.97	0.94	0.93	
		3/4 [19.05]	1.00	1.00	0.99	0.99	0.99	0.99	0.99	0.99	0.99	0.99	0.99	0.98	0.98	
		7/8 [22.23]	1.00	1.00	1.00	1.00	1.00	1.00	1.00	1.00	1.00	1.00	1.00	1.00	1.00	
		1 [25.40]	N/R	N/R	N/R	N/R	N/R	N/R	N/R	N/R	N/R	N/R	N/R	N/R	N/R	N/R
		1-1/8 [28.58]	N/R	N/R	N/R	N/R	N/R	N/R	N/R	N/R	N/R	N/R	N/R	N/R	N/R	N/R
2.5 Ton	3/4" [19.06]	5/8 [15.88]	1.00	0.98	0.99	0.97	0.96	0.96	0.96	0.95	0.93	0.93	0.93	0.93	0.93	
		3/4 [19.05]	1.00	1.00	1.00	1.00	0.99	0.99	0.99	0.98	0.99	0.99	0.99	0.98	0.98	
		7/8 [22.23]	1.00	1.01	1.00	1.01	1.00	1.01	1.00	1.01	1.00	1.01	1.01	1.01	1.00	1.00
		1 [25.40]	1.01	1.02	1.00	1.01	1.01	1.01	1.01	1.01	1.01	1.02	1.02	1.02	1.01	1.00
		1-1/8 [28.58]	N/R	N/R	N/R	N/R	N/R	N/R	N/R	N/R	N/R	N/R	N/R	N/R	N/R	N/R
3 Ton	3/4" [19.06]	5/8 [15.88]	0.99	0.97	0.96	0.94	0.93	0.93	0.92	0.92	0.92	0.92	0.92	0.92	0.92	
		3/4 [19.05]	1.00	0.99	0.98	0.99	0.98	0.98	0.96	0.96	0.96	0.96	0.96	0.96	0.96	
		7/8 [22.23]	1.00	1.00	1.00	0.99	0.99	0.99	0.99	0.99	0.99	0.99	0.99	0.99	0.99	0.99
		1 [25.40]	1.00	1.00	1.00	1.00	1.00	1.00	1.00	1.00	1.00	1.00	1.00	1.00	1.00	1.00
		1-1/8 [28.58]	N/R	N/R	N/R	N/R	N/R	N/R	N/R	N/R	N/R	N/R	N/R	N/R	N/R	N/R
3.5 Ton	3/4" [19.06]	5/8 [15.88]	0.98	0.97	0.95	0.93	0.93	0.93	0.93	0.93	0.93	0.93	0.93	0.93	0.93	
		3/4 [19.05]	1.00	0.99	0.99	0.98	0.98	0.98	0.98	0.98	0.98	0.98	0.98	0.98	0.98	
		7/8 [22.23]	1.00	1.00	1.00	0.99	0.99	0.99	0.99	0.99	0.99	0.99	0.99	0.99	0.99	0.99
		1 [25.40]	1.01	1.00	1.00	1.00	1.00	1.00	1.00	1.00	1.00	1.00	1.00	1.00	1.00	1.00
		1-1/8 [28.58]	N/R	N/R	N/R	N/R	N/R	N/R	N/R	N/R	N/R	N/R	N/R	N/R	N/R	N/R
4 Ton	3/4" [19.06]	5/8 [15.88]	0.98	0.95	0.98	0.98	0.98	0.98	0.98	0.98	0.98	0.98	0.98	0.98	0.98	
		3/4 [19.05]	1.00	0.98	0.99	0.98	0.98	0.98	0.98	0.98	0.98	0.98	0.98	0.98	0.98	
		7/8 [22.23]	1.00	0.99	1.00	0.99	0.99	0.99	0.99	0.99	0.99	0.99	0.99	0.99	0.99	0.99
		1 [25.40]	1.01	1.00	1.00	1.00	1.00	1.00	1.00	1.00	1.00	1.00	1.00	1.00	1.00	1.00
		1-1/8 [28.58]	N/R	N/R	N/R	N/R	N/R	N/R	N/R	N/R	N/R	N/R	N/R	N/R	N/R	N/R
5 Ton	3/4" [19.06]	5/8 [15.88]	0.97	0.94	0.98	0.98	0.98	0.98	0.98	0.98	0.98	0.98	0.98	0.98	0.98	
		3/4 [19.05]	0.99	0.98	0.99	0.98	0.98	0.98	0.98	0.98	0.98	0.98	0.98	0.98	0.98	
		7/8 [22.23]	1.00	0.99	1.00	0.99	0.99	0.99	0.99	0.99	0.99	0.99	0.99	0.99	0.99	0.99
		1 [25.40]	1.00	1.00	1.00	1.00	1.00	1.00	1.00	1.00	1.00	1.00	1.00	1.00	1.00	1.00
		1-1/8 [28.58]	N/R	N/R	N/R	N/R	N/R	N/R	N/R	N/R	N/R	N/R	N/R	N/R	N/R	N/R

**NOTES:**  
 N/R = Application not recommended.  
 All calculations assume a 3/8" liquid line  
 [ ] Designates Metric Conversions



# Heat Pump Refrigerant Line Size Information

R-410A System Capacity Model	Vapor Line Connection Size (Inch I.D.) [mm]	Vapor Line Size (Inch O.D.) [mm]	Vapor Line Size Capacity Multiplier Table															
			Total Equivalent Length - Feet [m]															
			25 [7.62]	50 [15.24]	75 [22.86]	100 [30.48]	125 [45.72]	150 [45.72]	175 [53.34]	200 [60.96]	225 [68.58]	250 [76.20]	275 [83.82]	300 [91.44]				
1.5 Ton	3/4" [19.06]	5/8 [15.88]	0.99	0.99	0.99	0.98	0.98	0.97	0.97	0.97	0.97	0.97	0.97	0.97	0.96	0.96	0.96	
		3/4 [19.05]	1.00	0.99	1.00	0.99	1.00	0.99	0.99	0.99	0.99	0.99	0.99	0.99	0.99	0.99	0.99	
		7/8 [22.23]	N/R	N/R	N/R	N/R	N/R	N/R	N/R	N/R	N/R	N/R	N/R	N/R	N/R	N/R	N/R	N/R
		1 [25.40]	N/R	N/R	N/R	N/R	N/R	N/R	N/R	N/R	N/R	N/R	N/R	N/R	N/R	N/R	N/R	N/R
		1-1/8 [28.58]	N/R	N/R	N/R	N/R	N/R	N/R	N/R	N/R	N/R	N/R	N/R	N/R	N/R	N/R	N/R	N/R
2 Ton	3/4" [19.06]	5/8 [15.88]	1.00	0.99	0.99	0.98	0.98	0.96	0.96	0.95	0.95	0.95	0.95	0.95	0.93	0.93	0.93	
		3/4 [19.05]	1.00	1.00	0.99	0.99	0.99	0.99	0.99	0.99	0.99	0.99	0.99	0.99	0.98	0.98	0.98	
		7/8 [22.23]	1.00	1.00	1.00	1.00	1.00	1.00	1.00	1.00	1.00	1.00	1.00	1.00	1.00	1.00	1.00	
		1 [25.40]	N/R	N/R	N/R	N/R	N/R	N/R	N/R	N/R	N/R	N/R	N/R	N/R	N/R	N/R	N/R	N/R
		1-1/8 [28.58]	N/R	N/R	N/R	N/R	N/R	N/R	N/R	N/R	N/R	N/R	N/R	N/R	N/R	N/R	N/R	N/R
2.5 Ton	3/4" [19.06]	5/8 [15.88]	1.00	0.98	0.99	0.97	0.96	0.96	0.96	0.95	0.95	0.93	0.93	0.93	N/R	N/R	N/R	
		3/4 [19.05]	1.00	1.00	1.00	1.00	0.99	0.99	0.99	0.98	0.98	0.99	0.99	0.99	N/R	N/R	N/R	
		7/8 [22.23]	1.00	1.01	1.00	1.01	1.00	1.01	1.00	1.01	1.00	1.01	1.01	1.01	N/R	N/R	N/R	
		1 [25.40]	1.01	1.02	1.00	1.01	1.01	1.01	1.01	1.01	1.01	1.01	1.02	1.02	N/R	N/R	N/R	
		1-1/8 [28.58]	N/R	N/R	N/R	N/R	N/R	N/R	N/R	N/R	N/R	N/R	N/R	N/R	N/R	N/R	N/R	N/R
3 Ton	3/4" [19.06]	5/8 [15.88]	0.99	0.97	0.96	0.94	0.93	0.92	0.92	0.92	0.92	0.92	0.92	0.92	N/R	N/R	N/R	
		3/4 [19.05]	1.00	0.99	0.98	0.99	0.98	0.96	0.96	0.96	0.96	0.96	0.96	0.96	N/R	N/R	N/R	
		7/8 [22.23]	1.00	1.00	1.00	0.99	0.99	0.99	0.99	0.99	0.99	0.99	0.99	0.99	N/R	N/R	N/R	
		1 [25.40]	1.00	1.00	1.00	1.00	1.00	1.00	1.00	1.00	1.00	1.00	1.00	1.00	N/R	N/R	N/R	
		1-1/8 [28.58]	N/R	N/R	N/R	N/R	N/R	N/R	N/R	N/R	N/R	N/R	N/R	N/R	N/R	N/R	N/R	N/R
3.5 Ton	3/4" [19.06]	5/8 [15.88]	0.98	0.97	0.95	0.93	0.93	0.93	0.93	0.93	0.93	0.93	0.93	0.93	N/R	N/R	N/R	
		3/4 [19.05]	1.00	0.99	0.99	0.98	0.98	0.98	0.98	0.98	0.98	0.98	0.98	0.98	N/R	N/R	N/R	
		7/8 [22.23]	1.00	1.00	1.00	0.99	0.99	0.99	0.99	0.99	0.99	0.99	0.99	0.99	N/R	N/R	N/R	
		1 [25.40]	1.01	1.00	1.00	1.00	1.00	1.00	1.00	1.00	1.00	1.00	1.00	1.00	N/R	N/R	N/R	
		1-1/8 [28.58]	1.01	1.00	1.00	1.00	1.00	1.00	1.00	1.00	1.00	1.00	1.00	1.00	N/R	N/R	N/R	
4 Ton	3/4" [19.06]	5/8 [15.88]	0.98	0.95	0.95	N/R	N/R	N/R	N/R	N/R	N/R	N/R	N/R	N/R	N/R	N/R	N/R	
		3/4 [19.05]	1.00	0.98	0.98	N/R	N/R	N/R	N/R	N/R	N/R	N/R	N/R	N/R	N/R	N/R	N/R	
		7/8 [22.23]	1.00	0.99	0.99	N/R	N/R	N/R	N/R	N/R	N/R	N/R	N/R	N/R	N/R	N/R	N/R	
		1 [25.40]	1.00	1.00	1.00	N/R	N/R	N/R	N/R	N/R	N/R	N/R	N/R	N/R	N/R	N/R	N/R	
		1-1/8 [28.58]	N/R	N/R	N/R	N/R	N/R	N/R	N/R	N/R	N/R	N/R	N/R	N/R	N/R	N/R	N/R	N/R
5 Ton	3/4" [19.06]	5/8 [15.88]	0.97	0.94	0.94	N/R	N/R	N/R	N/R	N/R	N/R	N/R	N/R	N/R	N/R	N/R	N/R	
		3/4 [19.05]	0.99	0.98	0.98	N/R	N/R	N/R	N/R	N/R	N/R	N/R	N/R	N/R	N/R	N/R	N/R	
		7/8 [22.23]	1.00	0.99	0.99	N/R	N/R	N/R	N/R	N/R	N/R	N/R	N/R	N/R	N/R	N/R	N/R	
		1 [25.40]	1.00	1.00	1.00	N/R	N/R	N/R	N/R	N/R	N/R	N/R	N/R	N/R	N/R	N/R	N/R	
		1-1/8 [28.58]	N/R	N/R	N/R	N/R	N/R	N/R	N/R	N/R	N/R	N/R	N/R	N/R	N/R	N/R	N/R	N/R

NOTES:  
N/R = Application not recommended.  
All calculations assume a 3/8" liquid line

[ ] Designates Metric Conversions

# Heat Pump Refrigerant Line Size Information

R-410A System Capacity Model	Liquid Line Connection Size (Inch I.D.) [mm]	Liquid Line Size (Inch O.D.) [mm]	Liquid Line Size Outdoor Unit Below/Above Indoor Coil Differences																
			Below = Sheet 1								Above = Sheet 2								
			Total Equivalent Length - Feet [m]																
			25 [7.62]	50 [15.24]	75 [22.86]	100 [30.48]	125 [45.72]	150 [45.72]	175 [53.34]	200 [60.96]	225 [68.58]	250 [76.20]	275 [83.82]	300 [91.44]					
			Maximum Vertical Separation - Feet [m]																
1.5 Ton	3/8" [9.53]	1/4 [6.35]	0	0	N/R	N/R	N/R	N/R	N/R	N/R	N/R	N/R	N/R	N/R	N/R	N/R	N/R	N/R	
		5/16 [7.94]	0	0	5 (Above)	0	0	0	0	0	0	0	0	0	0	0	0	0	0
		3/8 [9.53]	0	0	0	0	0	0	0	0	0	0	0	0	0	0	0	0	0
		7/16 [11.12]	0	0	0	0	0	0	0	5 (Above)	0	0	0	0	0	0	0	0	0
		1/2 [12.71]	0	0	0	0	0	0	0	0	0	5 (Above)	0	0	0	0	0	0	0
2 Ton	3/8" [9.53]	5 (Below)	N/R	N/R	N/R	N/R	N/R	N/R	N/R	N/R	N/R	N/R	N/R	N/R	N/R	N/R	N/R	N/R	
		1/4 [6.35]	0	0	0	0	0	0	0	0	0	0	0	0	0	0	0	0	0
		5/16 [7.94]	0	0	0	0	0	0	0	0	0	0	0	0	0	0	0	0	0
		3/8 [9.53]	0	0	0	0	0	0	0	0	0	0	0	0	0	0	0	0	0
		7/16 [11.12]	0	0	0	0	0	0	0	5 (Above)	0	0	0	0	0	0	0	0	0
2.5 Ton	3/8" [9.53]	1/2 [12.71]	0	0	0	0	0	0	0	0	0	0	0	0	0	0	0	0	
		1/4 [6.35]	N/R	N/R	N/R	N/R	N/R	N/R	N/R	N/R	N/R	N/R	N/R	N/R	N/R	N/R	N/R	N/R	N/R
		5/16 [7.94]	0	0	5 (Below)	N/R	N/R	N/R	N/R	N/R	N/R	N/R	N/R	N/R	N/R	N/R	N/R	N/R	N/R
		3/8 [9.53]	0	0	0	0	0	0	0	0	0	0	0	0	0	0	0	0	0
		7/16 [11.12]	0	0	0	0	0	0	0	0	0	0	0	0	0	0	0	0	0
3 Ton	3/8" [9.53]	1/2 [12.71]	0	0	0	0	0	0	0	0	0	0	0	0	0	0	0	0	
		1/4 [6.35]	N/R	N/R	N/R	N/R	N/R	N/R	N/R	N/R	N/R	N/R	N/R	N/R	N/R	N/R	N/R	N/R	N/R
		5/16 [7.94]	0	0	N/R	N/R	N/R	N/R	N/R	N/R	N/R	N/R	N/R	N/R	N/R	N/R	N/R	N/R	N/R
		3/8 [9.53]	0	0	0	0	0	0	0	0	0	0	0	0	0	0	0	0	0
		7/16 [11.12]	0	0	0	0	0	0	0	0	0	0	0	0	0	0	0	0	0
3.5 Ton	3/8" [9.53]	1/2 [12.71]	0	0	0	0	0	0	0	0	0	0	0	0	0	0	0	0	
		1/4 [6.35]	N/R	N/R	N/R	N/R	N/R	N/R	N/R	N/R	N/R	N/R	N/R	N/R	N/R	N/R	N/R	N/R	N/R
		5/16 [7.94]	0	0	N/R	N/R	N/R	N/R	N/R	N/R	N/R	N/R	N/R	N/R	N/R	N/R	N/R	N/R	N/R
		3/8 [9.53]	0	0	0	0	0	0	0	0	0	0	0	0	0	0	0	0	0
		7/16 [11.12]	0	0	0	0	0	0	0	0	0	0	0	0	0	0	0	0	0
4 Ton	3/8" [9.53]	1/2 [12.71]	0	0	0	0	0	0	0	0	0	0	0	0	0	0	0	0	
		1/4 [6.35]	N/R	N/R	N/R	N/R	N/R	N/R	N/R	N/R	N/R	N/R	N/R	N/R	N/R	N/R	N/R	N/R	N/R
		5/16 [7.94]	0	0	N/R	N/R	N/R	N/R	N/R	N/R	N/R	N/R	N/R	N/R	N/R	N/R	N/R	N/R	N/R
		3/8 [9.53]	0	0	0	0	0	0	0	0	0	0	0	0	0	0	0	0	0
		7/16 [11.12]	0	0	0	0	0	0	0	0	0	0	0	0	0	0	0	0	0
5 Ton	3/8" [9.53]	1/2 [12.71]	0	0	0	0	0	0	0	0	0	0	0	0	0	0	0	0	
		1/4 [6.35]	N/R	N/R	N/R	N/R	N/R	N/R	N/R	N/R	N/R	N/R	N/R	N/R	N/R	N/R	N/R	N/R	N/R
		5/16 [7.94]	N/R	N/R	N/R	N/R	N/R	N/R	N/R	N/R	N/R	N/R	N/R	N/R	N/R	N/R	N/R	N/R	N/R
		3/8 [9.53]	0	0	0	0	0	0	0	0	0	0	0	0	0	0	0	0	0
		7/16 [11.12]	0	0	0	0	0	0	0	0	0	0	0	0	0	0	0	0	0

**NOTES:**  
 N/R = Application not recommended.  
 Grey = This application is acceptable, but the long line guidelines must be followed. Reference Long Line Set section in the I&O.  
 [ ] Designates Metric Conversions

## Performance Data @ AHRI Standard Conditions – Heat Pump

Note: Ratings contained in this document are subject to change. For up-to-date and expanded ratings, please visit the AHRI web site ([www.ahridirectory.org](http://www.ahridirectory.org)).

Designated Tested Combination (DTC)												
Outdoor Unit	Air Handler	Total Capacity BTU/H [kW]	Net Sensible BTU/H [kW]	Net Latent BTU/H [kW]	SEER	EER	Indoor CFM [L/s]	47 Degree Heating Capacity BTU/H [kW]	47 Degree COP	17 Degree Heating Capacity BTU/H [kW]	17 Degree COP	Region IV HSPF
WP1418BU1	FH2417TTS*SN	18000 [5.3]	14300 [4.2]	3700 [1.1]	14	11.5	700 [330.3]	17100 [5.1]	3.65	10400 [3.1]	2.35	8.2
WP1424AU1	FH2417TTS*SN	23800 [7.0]	18300 [5.4]	5500 [1.6]	14	11.5	800 [377.6]	22000 [6.4]	3.66	13900 [4.1]	2.46	8.5
WP1430AU1	FH3617TTS*SN	29000 [8.5]	22000 [6.4]	7000 [2.1]	14	11.5	1025 [483.7]	26000 [7.6]	3.46	15200 [4.5]	2.20	8.5
WP1436AU1	FH3617TTS*SN	35400 [10.4]	26800 [7.9]	8600 [2.5]	14	11.5	1200 [566.3]	34200 [10.0]	3.40	21400 [6.3]	2.26	8.5
WP1442AU1	FH4821TTS*SN	40500 [11.9]	30000 [8.8]	10500 [3.1]	14	11.5	1400 [660.7]	40500 [11.9]	3.76	25800 [7.6]	2.66	8.5
WP1448AU1	FH4821TTS*SN	47000 [13.8]	36400 [10.7]	11600 [3.4]	14	11.5	1600 [755.1]	47000 [13.8]	3.60	29600 [8.7]	2.50	8.2

[ ] Designates Metric Conversions

**GENERAL TERMS OF LIMITED WARRANTY\***

*Fujitsu General America, Inc.* will furnish a replacement for any part of this product which fails in normal use and service within the applicable period stated, in accordance with the terms of the limited warranty.

Parts.....Five (5) Years

**\*For complete details of the Limited and Conditional Warranties, including applicable terms and conditions, contact your local contractor or the Manufacturer for a copy of the product warranty certificate.**







---

**Before proceeding with installation, refer to installation instructions packaged with each model, as well as complying with all Federal, State, Provincial, and Local codes, regulations, and practices.**

*"In keeping with its policy of continuous progress and product improvement, the right is reserved to make changes without notice."*