

FUJITSU

PACKAGE AIR CONDITIONERS



RSPM 14 SEER

Nominal Sizes 2-5 Tons [7-17.6 kW]

Manufactured for
Fujitsu General America, Inc.
Fairfield, NJ



TABLE OF CONTENTS

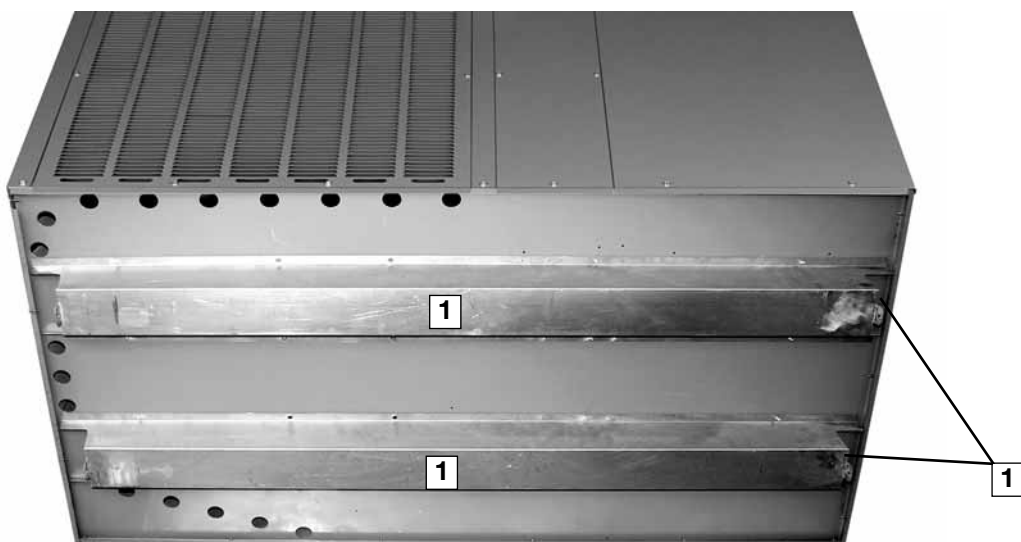
Unit Features & Benefits.....	3-6
Model Identification Options	7
General Data	
RSPM	8-10
Performance Data	
RSPM Cooling	11-14
Indoor Airflow Performance	
RSPM	15-18
Electrical Data	
RSPM	19
Electric Heater Kits	
RSPM	20-21
Dimensional Data	22-23
Limited Warranty	24



The RSPM of Package Air Conditioners are designed to be the most efficient, quickest to install, easiest to service, and most reliable units in the industry - while still maintaining an affordable price. This platform provides you with a full line of nominal capacities from 2 through 5 tons utilizing earth-friendly R-410A refrigerant. This unit is suitable for use in mobile homes, manufactured housing and conventionally constructed residential and commercial buildings where horizontally-ducted systems are preferred. RSPM Models are 14 SEER and AHRI-certified.

Starting at the bottom, the base rails (1) allow for separation between the unit base and the ground level, protecting the base from ground moisture and providing air circulation around the unit. Constructed from sturdy 14-gauge G-90 sheet metal, the base rails also allow for easier maneuverability during installation.

As with all units offered by Fujitsu, we started our design process with input from the customer. From fan grille to the base rails, Fujitsu has combined 30 years worth of package unit design experience with input from Dealers to meet the latest application requirements.

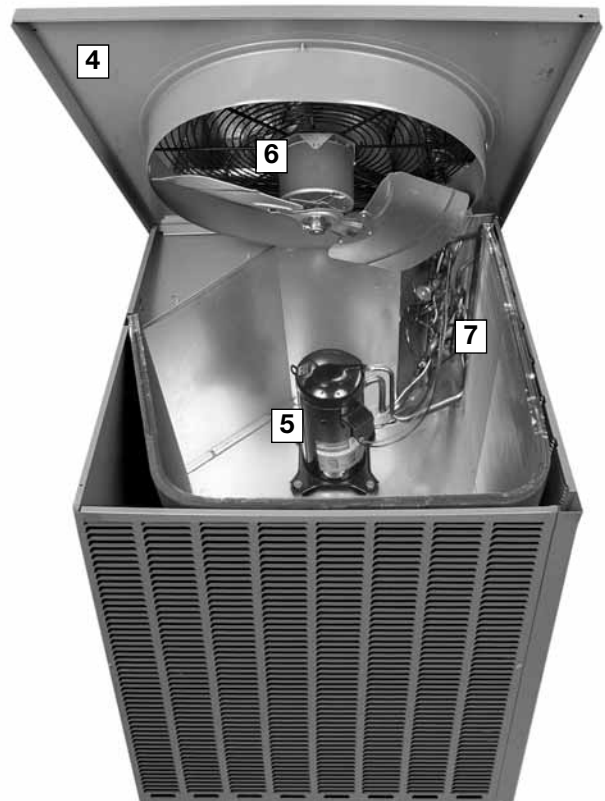


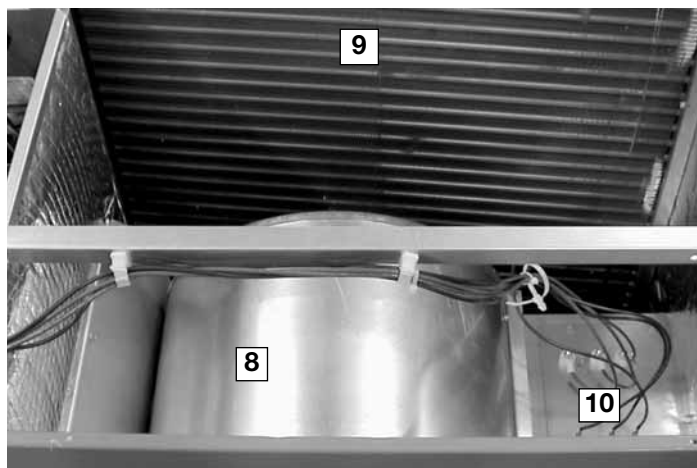


To provide flexibility in space-limited installations, the unit can be installed flush to the structure without blocking airflow over the outdoor coil or making any screws inaccessible for maintenance. Furthermore, the cabinet is a slim 33" wide. Full-louver coil protection ([2]) makes Fujitsu unique in the industry and also totally protects the outdoor coil from vandalism and weather extremes.

Two round 14" duct collar ([3]) are included with the unit, which makes attaching duct a snap. The collar is crimped around the leading edge, making it easier to install duct onto the collar. A metal bead around the circumference prevents the attached ducting from sliding off after installation.

Keeping service technicians in mind, Fujitsu takes pride providing easy access to internal components. The outdoor-section top cover ([4]) is easily removed to allow access to the scroll compressor ([5]), outdoor fan motor ([6]), and refrigerant tubing ([7]).

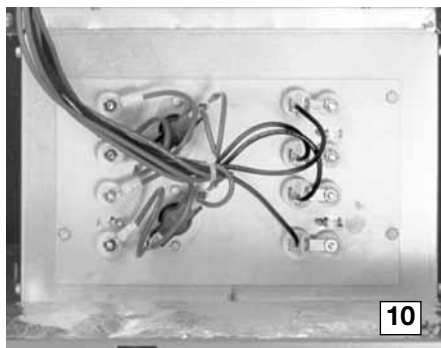




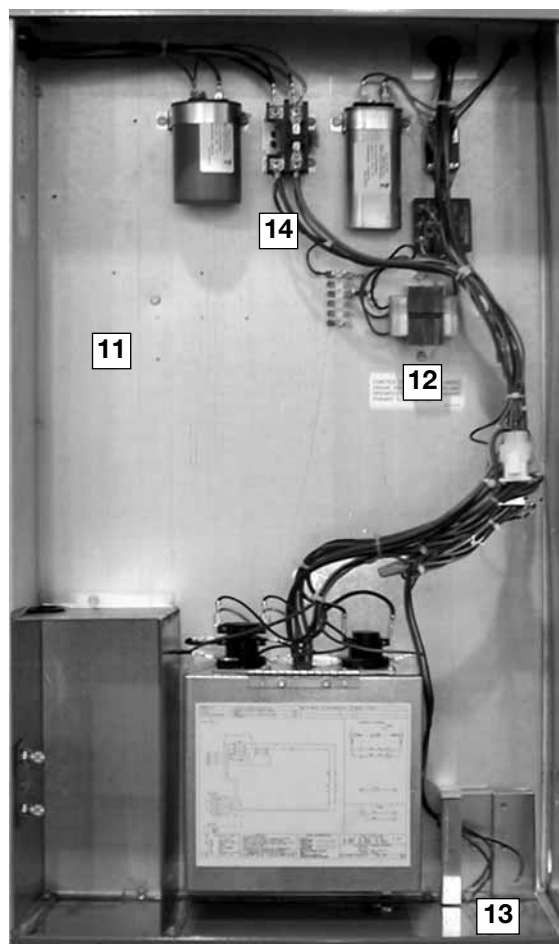
The indoor-section top cover also easily opens to access the removable blower housing and motor (8). This also gains total access to the indoor coil for cleaning and service (9).

The indoor motor and blower system will achieve nominal 400 CFM per ton up to a minimum of .8 inches of static pressure, which helps to eliminate customer dissatisfaction over poor airflow brought about by high-static duct designs.

Optional electric heat (10) can be specified as factory installed, or can be easily installed in the field, with either dual- or single-point power connections.

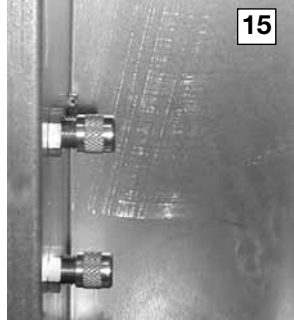


The controls are located in a large, easy-to-access control box (11), which provides plenty of space in which to troubleshoot. The transformer (12) is protected by an in-line fuse, which protects the transformer during a low-voltage electrical short. The low-voltage (13) and high-voltage (14) wiring connections are easily accessed and have ample room around which to maneuver. Troubleshooting is further aided with number- and color-coded wiring, which corresponds with the large, easy-to-read wiring diagram located on the inside of the control box access panel.



RSPM Series

High and low refrigerant pressure can easily and accurately be measured using the two gauge ports (15) located inside the control box.



Foil-faced insulation is securely glued and captured to the cabinet. On the base of the unit, closed-cell insulation is used to prevent moisture from being absorbed and help reduce mold content to provide better indoor air quality.

For reliability and long-lasting operation, Fujitsu uses 100% scroll compressor technology (18) on all package platforms. With over 12 years of history, the scroll compressor has proven to be reliable, efficient, and quiet during operation.

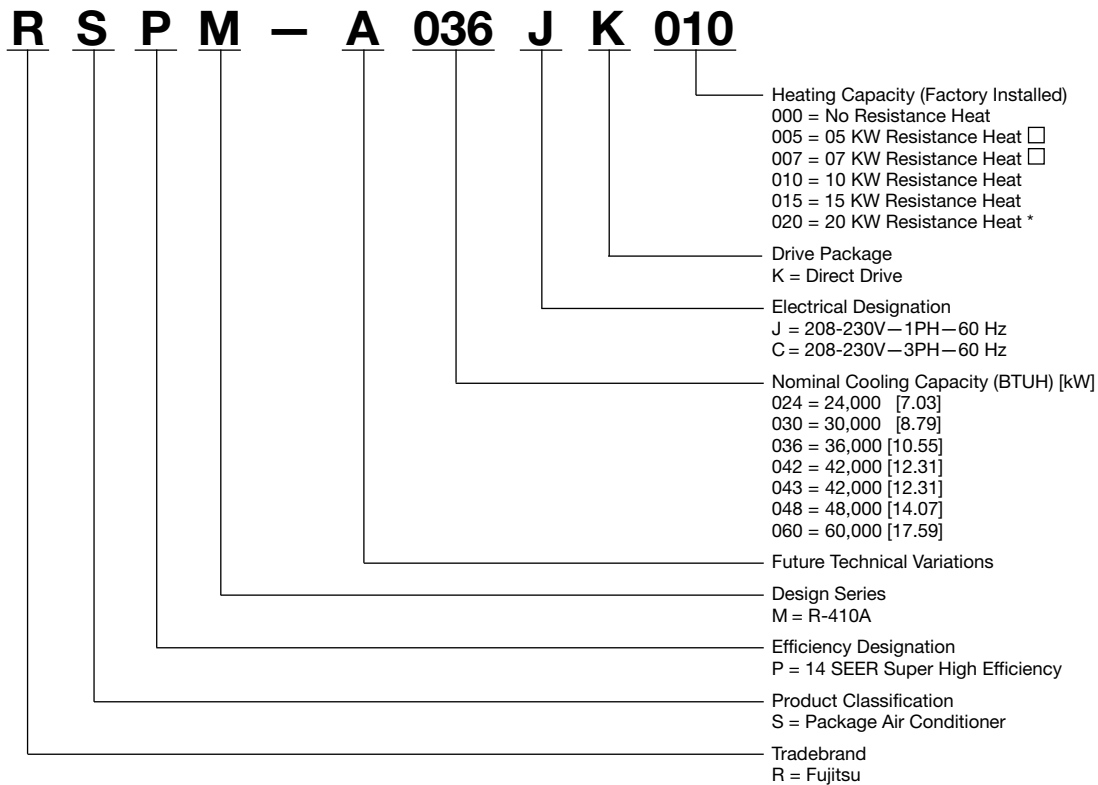


A small side panel grants access to a removable, sloped drain pan (16), which helps to ensure indoor air quality (IAQ) throughout the life of the unit.

A 3/4" drain trap (17) assembly is provided for convenience.

“Patent 7,430,877”





Not available in 3 phase models.
 *Available in 3¹/₂, 4 and 5 ton models.

[] Designates Metric Conversions

NOMINAL SIZES 2-5 TON [7-17.6 kW]

Model RSPM	A024JK	A030JK	A036CK	A036JK
Cooling Performance¹				CONTINUED →
Gross Cooling Capacity Btu [kW]	25,200 [7.38]	30,400 [8.91]	37,600 [11.02]	37,600 [11.02]
EER/SEER ²	12.4/14	12.25/14	12.2/14	12.2/14
Nominal CFM/AHRI Rated CFM [L/s]	800/800 [378/378]	1000/1000 [472/472]	1200/1200 [566/566]	1200/1200 [566/566]
AHRI Net Cooling Capacity Btu [kW]	24,200 [7.09]	29,200 [8.56]	36,200 [10.61]	36,200 [10.61]
Net Sensible Capacity Btu [kW]	18,800 [5.51]	23,000 [6.74]	27,700 [8.12]	27,700 [8.12]
Net Latent Capacity Btu [kW]	5,400 [1.58]	6,200 [1.82]	8,500 [2.49]	8,500 [2.49]
Net System Power kW	1.95	2.38	2.97	2.97
Compressor				
No./Type	1/Scroll	1/Scroll	1/Scroll	1/Scroll
Outdoor Sound Rating (dB)³	76	76	76	76
Outdoor Coil—Fin Type	Louvered	Louvered	Louvered	Louvered
Tube Type	Rifled	Rifled	Rifled	Rifled
Tube Size in. [mm] OD	0.375 [9.5]	0.375 [9.5]	0.375 [9.5]	0.375 [9.5]
Face Area sq. ft. [sq. m]	10.44 [0.97]	12.64 [1.17]	12.65 [1.18]	12.65 [1.18]
Rows / FPI [FPcm]	1 / 20 [8]	1 / 22 [9]	1 / 22 [9]	1 / 22 [9]
Indoor Coil—Fin Type	Louvered	Louvered	Louvered	Louvered
Tube Type	Rifled	Rifled	Rifled	Rifled
Tube Size in. [mm]	0.375 [9.5]	0.375 [9.5]	0.375 [9.5]	0.375 [9.5]
Face Area sq. ft. [sq. m]	4.33 [0.4]	4.33 [0.4]	4.33 [0.4]	4.33 [0.4]
Rows / FPI [FPcm]	2 / 15 [6]	2 / 15 [6]	2 / 15 [6]	2 / 15 [6]
Refrigerant Control	TX Valves	TX Valves	TX Valves	TX Valves
Drain Connection No./Size in. [mm] ⁴	1/1 [25.4]	1/1 [25.4]	1/1 [25.4]	1/1 [25.4]
Outdoor Fan—Type	Propeller	Propeller	Propeller	Propeller
No. Used/Diameter in. [mm]	1/24 [609.6]	1/24 [609.6]	1/24 [609.6]	1/24 [609.6]
Drive Type/No. Speeds	Direct/1	Direct/1	Direct/1	Direct/1
CFM [L/s]	3400 [1604]	3400 [1604]	3400 [1604]	3400 [1604]
No. Motors/HP	1 at 1/3 HP	1 at 1/3 HP	1 at 1/3 HP	1 at 1/3 HP
Motor RPM	875	875	875	875
Indoor Fan—Type	FC Centrifugal	FC Centrifugal	FC Centrifugal	FC Centrifugal
No. Used/Diameter in. [mm]	1/10x9 [254x228.6]	1/10x9 [254x228.6]	1/10x9 [254x228.6]	1/10x9 [254x228.6]
Drive Type/No. Speeds	Direct/2	Direct/2	Direct/2	Direct/2
No. Motors	1	1	1	1
Motor HP	1/4	1/3	1/2	1/2
Motor RPM (Nominal)	1050	1050	1050	1050
Motor Frame Size	48	48	48	48
Filter—Type	Field Supplied	Field Supplied	Field Supplied	Field Supplied
Furnished	No	No	No	No
(No.) Size Recommended in. [mm]	(1)1x20x16 [25x508x406]	(1)1x20x20 [25x508x508]	(1)1x24x24 [25x610x610]	(1)1x24x24 [25x610x610]
Refrigerant Charge Oz. [g] (R-410A)	70 [1984]	78 [2211]	78 [2211]	78 [2211]
Weights				
Net Weight lbs. [kg]	304 [138]	306 [139]	309 [140]	309 [140]
Ship Weight lbs. [kg]	328 [149]	330 [150]	333 [151]	333 [151]

[] Designates Metric Conversions

NOTES:

1. Cooling Performance is rated at 95° F ambient, 80° F entering dry bulb, 67° F entering wet bulb. Gross capacity does not include the effect of fan motor heat. AHRI capacity is net and includes the effect of fan motor heat. Units are suitable for operation to ±20% of nominal cfm. Units are certified in accordance with the Unitary Air Conditioner Equipment certification program, which is based on AHRI Standard 210/240 or 360.
2. EER and/or SEER are rated at AHRI conditions and in accordance with DOE test procedures.
3. Outdoor Sound Rating shown is tested in accordance with AHRI Standard 270.
4. Standard 3/4" PVC P-Trap provided.

NOMINAL SIZES 2-5 TONS [7-17.6 kW]

Model RSPM	A042CK	A042JK	A043CK	A043JK
Cooling Performance¹				CONTINUED →
Gross Cooling Capacity Btu [kW]	43,500 [12.75]	43,500 [12.75]	43,000 [12.6]	43,000 [12.6]
EER/SEER ²	11.85/14	11.85/14	12/14	12/14
Nominal CFM/AHRI Rated CFM [L/s]	1400/1400 [661/661]	1400/1400 [661/661]	1400/1400 [661/661]	1400/1400 [661/661]
AHRI Net Cooling Capacity Btu [kW]	42,000 [12.31]	42,000 [12.31]	42,000 [12.31]	42,000 [12.31]
Net Sensible Capacity Btu [kW]	32,500 [9.52]	32,500 [9.52]	32,000 [9.38]	32,000 [9.38]
Net Latent Capacity Btu [kW]	9,500 [2.78]	9,500 [2.78]	10,000 [2.93]	10,000 [2.93]
Net System Power kW	3.53	3.53	3.5	3.5
Compressor				
No./Type	1/Scroll	1/Scroll	1/Scroll	1/Scroll
Outdoor Sound Rating (dB)³	76	76	76	76
Outdoor Coil—Fin Type	Louvered	Louvered	Louvered	Louvered
Tube Type	Rifled	Rifled	Rifled	Rifled
Tube Size in. [mm] OD	0.375 [9.5]	0.375 [9.5]	0.375 [9.5]	0.375 [9.5]
Face Area sq. ft. [sq. m]	12.65 [1.18]	12.65 [1.18]	12.65 [1.18]	12.65 [1.18]
Rows / FPI [FPcm]	1 / 22 [9]	1 / 22 [9]	1 / 22 [9]	1 / 22 [9]
Indoor Coil—Fin Type	Louvered	Louvered	Louvered	Louvered
Tube Type	Rifled	Rifled	Rifled	Rifled
Tube Size in. [mm]	0.375 [9.5]	0.375 [9.5]	0.375 [9.5]	0.375 [9.5]
Face Area sq. ft. [sq. m]	5.78 [0.54]	5.78 [0.54]	5.78 [0.54]	5.78 [0.54]
Rows / FPI [FPcm]	3 / 13 [5]	3 / 13 [5]	3 / 13 [5]	3 / 13 [5]
Refrigerant Control	TX Valves	TX Valves	TX Valves	TX Valves
Drain Connection No./Size in. [mm] ⁴	1/1 [25.4]	1/1 [25.4]	1/1 [25.4]	1/1 [25.4]
Outdoor Fan—Type	Propeller	Propeller	Propeller	Propeller
No. Used/Diameter in. [mm]	1/24 [609.6]	1/24 [609.6]	1/24 [609.6]	1/24 [609.6]
Drive Type/No. Speeds	Direct/1	Direct/1	Direct/1	Direct/1
CFM [L/s]	3400 [1604]	3400 [1604]	3400 [1604]	3400 [1604]
No. Motors/HP	1 at 1/3 HP	1 at 1/3 HP	1 at 1/3 HP	1 at 1/3 HP
Motor RPM	875	875	850	850
Indoor Fan—Type	FC Centrifugal	FC Centrifugal	FC Centrifugal	FC Centrifugal
No. Used/Diameter in. [mm]	1/11x9 [279.4x228.6]	1/11x9 [279.4x228.6]	1/11x9 [279x229]	1/11x9 [279x229]
Drive Type/No. Speeds	Direct/2	Direct/2	Direct/2	Direct/2
No. Motors	1	1	1	1
Motor HP	1/2	1/2	1/2	1/2
Motor RPM (Nominal)	1050	1050	1075	1075
Motor Frame Size	48	48	48	48
Filter—Type	Field Supplied	Field Supplied	Field Supplied	Field Supplied
Furnished	No	No	No	No
(No.) Size Recommended in. [mm]	(1)1x24x24 [25x610x610]	(1)1x24x24 [25x610x610]	(1)1x24x24 [25x610x610]	(1)1x24x24 [25x610x610]
Refrigerant Charge Oz. [g] (R-410A)	86 [2438]	86 [2438]	86 [2438]	86 [2438]
Weights				
Net Weight lbs. [kg]	333 [151]	333 [151]	333 [151]	333 [151]
Ship Weight lbs. [kg]	357 [162]	357 [162]	357 [162]	357 [162]

[] Designates Metric Conversions

NOTES:

1. Cooling Performance is rated at 95° F ambient, 80° F entering dry bulb, 67° F entering wet bulb. Gross capacity does not include the effect of fan motor heat. AHRI capacity is net and includes the effect of fan motor heat. Units are suitable for operation to ±20% of nominal cfm. Units are certified in accordance with the Unitary Air Conditioner Equipment certification program, which is based on AHRI Standard 210/240 or 360.
2. EER and/or SEER are rated at AHRI conditions and in accordance with DOE test procedures.
3. Outdoor Sound Rating shown is tested in accordance with AHRI Standard 270.
4. Standard 3/4" PVC P-Trap provided.

NOMINAL SIZES 2-5 TONS [7-17.6 kW]

Model RSPM	A048CK	A048JK	A060CK	A060JK
Cooling Performance¹				
Gross Cooling Capacity Btu [kW]	49,000 [14.36]	49,000 [14.36]	64,000 [18.75]	64,000 [18.75]
EER/SEER ²	12.6/14	12.6/14	12.35/14	12.35/14
Nominal CFM/AHRI Rated CFM [L/s]	1600/1600 [755/755]	1600/1600 [755/755]	2000/1900 [944/897]	2000/1900 [944/897]
AHRI Net Cooling Capacity Btu [kW]	47,000 [13.77]	47,000 [13.77]	61,000 [17.87]	61,000 [17.87]
Net Sensible Capacity Btu [kW]	36,400 [10.67]	36,400 [10.67]	45,500 [13.33]	45,500 [13.33]
Net Latent Capacity Btu [kW]	10,600 [3.11]	10,600 [3.11]	15,500 [4.54]	15,500 [4.54]
Net System Power kW	3.61	3.61	4.94	4.94
Compressor				
No./Type	1/Scroll	1/Scroll	1/Scroll	1/Scroll
Outdoor Sound Rating (dB)³				
	78	78	78	78
Outdoor Coil—Fin Type				
Tube Type	Louvered	Louvered	Louvered	Louvered
Tube Size in. [mm] OD	Rifled	Rifled	Rifled	Rifled
Face Area sq. ft. [sq. m]	0.375 [9.5]	0.375 [9.5]	0.375 [9.5]	0.375 [9.5]
Rows / FPI [FPcm]	16.54 [1.54]	16.54 [1.54]	16.54 [1.54]	16.54 [1.54]
	1 / 22 [9]	1 / 22 [9]	2 / 22 [9]	2 / 22 [9]
Indoor Coil—Fin Type				
Tube Type	Louvered	Louvered	Louvered	Louvered
Tube Size in. [mm]	Rifled	Rifled	Rifled	Rifled
Face Area sq. ft. [sq. m]	0.375 [9.5]	0.375 [9.5]	0.375 [9.5]	0.375 [9.5]
Rows / FPI [FPcm]	5.78 [0.54]	5.78 [0.54]	5.78 [0.54]	5.78 [0.54]
Refrigerant Control	3 / 13 [5]	3 / 13 [5]	4 / 13 [5]	4 / 13 [5]
Drain Connection No./Size in. [mm] ⁴	TX Valves	TX Valves	TX Valves	TX Valves
	1/1 [25.4]	1/1 [25.4]	1/1 [25.4]	1/1 [25.4]
Outdoor Fan—Type				
No. Used/Diameter in. [mm]	Propeller	Propeller	Propeller	Propeller
Drive Type/No. Speeds	1/24 [609.6]	1/24 [609.6]	1/24 [609.6]	1/24 [609.6]
CFM [L/s]	Direct/1	Direct/1	Direct/1	Direct/1
No. Motors/HP	4200 [1982]	4200 [1982]	4000 [1888]	4000 [1888]
Motor RPM	1 at 1/3 HP	1 at 1/3 HP	1 at 1/3 HP	1 at 1/3 HP
	1075	1075	1075	1075
Indoor Fan—Type				
No. Used/Diameter in. [mm]	FC Centrifugal	FC Centrifugal	FC Centrifugal	FC Centrifugal
Drive Type/No. Speeds	1/11x9 [279.4x228.6]	1/11x9 [279.4x228.6]	1/11x9 [279.4x228.6]	1/11x9 [279.4x228.6]
No. Motors	Direct/2	Direct/2	Direct/2	Direct/2
Motor HP	1	1	1	1
Motor RPM (Nominal)	3/4	3/4	3/4	3/4
Motor Frame Size	1050	1050	1050	1050
	48	48	48	48
Filter—Type				
Furnished	Field Supplied	Field Supplied	Field Supplied	Field Supplied
(No.) Size Recommended in. [mm]	No	No	No	No
	(1)1x24x24 [25x610x610]	(1)1x24x24 [25x610x610]	(1)1x24x24 [25x610x610]	(1)1x24x24 [25x610x610]
Refrigerant Charge Oz. [g] (R-410A)				
	114 [3232]	114 [3232]	178 [5046]	178 [5046]
Weights				
Net Weight lbs. [kg]	349 [158]	349 [158]	364 [165]	364 [165]
Ship Weight lbs. [kg]	375 [170]	375 [170]	390 [177]	390 [177]

[] Designates Metric Conversions

NOTES:

1. Cooling Performance is rated at 95° F ambient, 80° F entering dry bulb, 67° F entering wet bulb. Gross capacity does not include the effect of fan motor heat. AHRI capacity is net and includes the effect of fan motor heat. Units are suitable for operation to ±20% of nominal cfm. Units are certified in accordance with the Unitary Air Conditioner Equipment certification program, which is based on AHRI Standard 210/240 or 360.
2. EER and/or SEER are rated at AHRI conditions and in accordance with DOE test procedures.
3. Outdoor Sound Rating shown is tested in accordance with AHRI Standard 270.
4. Standard 3/4" PVC P-Trap provided.

GROSS SYSTEMS PERFORMANCE DATA—RSPM-A024

ENTERING INDOOR AIR @ 80°F [26.7°C] dbE ①											
wbE		71°F [21.7°C]			67°F [19.4°C]			63°F [17.2°C]			
CFM [L/s]		960 [453]	800 [378]	640 [302]	960 [453]	800 [378]	640 [302]	960 [453]	800 [378]	640 [302]	
DR ①		.10	.06	.01	.10	.06	.01	.10	.06	.01	
OUTDOOR DRY BULB TEMPERATURE °F [°C]	75 [23.9]	Total BTUH [kW]	30.9 [9.06]	29.8 [8.73]	28.7 [8.41]	29.0 [8.50]	28.0 [8.21]	26.9 [7.88]	27.3 [8.00]	26.4 [7.74]	25.4 [7.44]
		Sens BTUH [kW]	19.4 [5.69]	17.8 [5.22]	16.1 [4.72]	22.9 [6.71]	20.9 [6.13]	19.0 [5.57]	26.3 [7.71]	24.0 [7.03]	21.8 [6.39]
		Power	1.4	1.3	1.3	1.4	1.3	1.3	1.4	1.3	1.3
	80 [26.7]	Total BTUH [kW]	30.2 [8.85]	29.2 [8.56]	28.1 [8.24]	28.3 [8.29]	27.3 [8.00]	26.3 [7.71]	26.7 [7.83]	25.7 [7.53]	24.8 [7.27]
		Sens BTUH [kW]	19.1 [5.60]	17.5 [5.13]	15.9 [4.66]	22.6 [6.62]	20.7 [6.07]	18.7 [5.48]	26.0 [7.62]	23.7 [6.95]	21.5 [6.30]
		Power	1.4	1.4	1.4	1.4	1.4	1.4	1.4	1.4	1.4
	85 [29.4]	Total BTUH [kW]	29.5 [8.65]	28.5 [8.35]	27.4 [8.03]	27.6 [8.09]	26.6 [7.80]	25.7 [7.53]	26.0 [7.62]	25.1 [7.36]	24.1 [7.06]
		Sens BTUH [kW]	18.8 [5.51]	17.2 [5.04]	15.6 [4.57]	22.3 [6.54]	20.4 [5.98]	18.5 [5.42]	25.6 [7.50]	23.5 [6.89]	21.3 [6.24]
		Power	1.5	1.5	1.5	1.5	1.5	1.5	1.5	1.5	1.5
	90 [32.2]	Total BTUH [kW]	28.8 [8.44]	27.7 [8.12]	26.7 [7.83]	26.8 [7.85]	25.9 [7.59]	25.0 [7.33]	25.2 [7.39]	24.3 [7.12]	23.4 [6.86]
Sens BTUH [kW]		18.5 [5.42]	16.9 [4.95]	15.3 [4.48]	21.9 [6.42]	20.1 [5.89]	18.2 [5.33]	25.2 [7.39]	23.1 [6.77]	21.0 [6.15]	
Power		1.6	1.6	1.6	1.6	1.6	1.6	1.6	1.6	1.6	
95 [35]	Total BTUH [kW]	27.9 [8.18]	27.0 [7.91]	26.0 [7.62]	26.0 [7.62]	25.1 [7.36]	24.2 [7.09]	24.4 [7.15]	23.5 [6.89]	22.7 [6.65]	
	Sens BTUH [kW]	18.1 [5.30]	16.6 [4.86]	15.0 [4.40]	21.6 [6.33]	19.7 [5.77]	17.9 [5.25]	24.4 [7.15]	22.9 [6.71]	20.7 [6.07]	
	Power	1.7	1.7	1.7	1.7	1.7	1.7	1.7	1.7	1.7	
100 [37.8]	Total BTUH [kW]	27.1 [7.94]	26.1 [7.65]	25.2 [7.39]	25.2 [7.39]	24.3 [7.12]	23.4 [6.86]	23.5 [6.89]	22.7 [6.65]	21.9 [6.42]	
	Sens BTUH [kW]	17.7 [5.19]	16.2 [4.75]	14.7 [4.31]	21.1 [6.18]	19.3 [5.66]	17.5 [5.13]	23.5 [6.89]	22.4 [6.56]	20.3 [5.95]	
	Power	1.8	1.8	1.7	1.8	1.8	1.7	1.8	1.8	1.7	
105 [40.6]	Total BTUH [kW]	26.1 [7.65]	25.2 [7.39]	24.3 [7.12]	24.2 [7.09]	23.4 [6.86]	22.5 [6.59]	22.6 [6.62]	21.8 [6.39]	21.0 [6.15]	
	Sens BTUH [kW]	17.2 [5.04]	15.7 [4.60]	14.3 [4.19]	20.7 [6.07]	18.9 [5.54]	17.2 [5.04]	22.6 [6.62]	21.8 [6.39]	19.9 [5.83]	
	Power	1.9	1.9	1.8	1.9	1.9	1.8	1.9	1.9	1.8	
110 [43.3]	Total BTUH [kW]	25.1 [7.36]	24.2 [7.09]	23.4 [6.86]	23.2 [6.80]	22.4 [6.56]	21.6 [6.33]	21.6 [6.33]	20.8 [6.10]	20.1 [5.89]	
	Sens BTUH [kW]	16.7 [4.89]	15.3 [4.48]	13.8 [4.04]	20.2 [5.92]	18.4 [5.39]	16.7 [4.89]	21.6 [6.33]	20.8 [6.10]	19.5 [5.71]	
	Power	2.0	1.9	1.9	2.0	1.9	1.9	2.0	1.9	1.9	
115 [46.1]	Total BTUH [kW]	24.0 [7.03]	23.2 [6.80]	22.3 [6.54]	22.1 [6.48]	21.4 [6.27]	20.6 [6.04]	20.5 [6.01]	19.8 [5.80]	19.1 [5.60]	
	Sens BTUH [kW]	16.1 [4.72]	14.7 [4.31]	13.3 [3.90]	19.6 [5.74]	17.9 [5.25]	16.2 [4.75]	20.5 [6.01]	19.8 [5.80]	19.0 [5.57]	
	Power	2.1	2.0	2.0	2.1	2.0	2.0	2.1	2.0	2.0	

GROSS SYSTEMS PERFORMANCE DATA—RSPM-A030

ENTERING INDOOR AIR @ 80°F [26.7°C] dbE ①											
wbE		71°F [21.7°C]			67°F [19.4°C]			63°F [17.2°C]			
CFM [L/s]		1200 [566]	1000 [472]	800 [378]	1200 [566]	1000 [472]	800 [378]	1200 [566]	1000 [472]	800 [378]	
DR ①		.11	.07	.02	.11	.07	.02	.11	.07	.02	
OUTDOOR DRY BULB TEMPERATURE °F [°C]	75 [23.9]	Total BTUH [kW]	37.8 [11.08]	36.5 [10.70]	35.1 [10.29]	35.0 [10.26]	33.8 [9.91]	32.6 [9.55]	33.1 [9.70]	31.9 [9.35]	30.7 [9.00]
		Sens BTUH [kW]	23.5 [6.89]	21.5 [6.30]	19.5 [5.71]	27.8 [8.15]	25.4 [7.44]	23.1 [6.77]	31.0 [9.09]	28.4 [8.32]	25.8 [7.56]
		Power	1.7	1.6	1.6	1.7	1.6	1.6	1.7	1.6	1.6
	80 [26.7]	Total BTUH [kW]	37.2 [10.90]	35.9 [10.52]	34.6 [10.14]	34.4 [10.08]	33.2 [9.73]	32.0 [9.38]	32.5 [9.52]	31.4 [9.20]	30.2 [8.85]
		Sens BTUH [kW]	23.3 [6.83]	21.3 [6.24]	19.3 [5.66]	27.7 [8.12]	25.3 [7.41]	22.9 [6.71]	31.0 [9.09]	28.3 [8.29]	25.6 [7.50]
		Power	1.8	1.7	1.7	1.8	1.7	1.7	1.8	1.7	1.7
	85 [29.4]	Total BTUH [kW]	36.4 [10.67]	35.1 [10.29]	33.8 [9.91]	33.6 [9.85]	32.4 [9.50]	31.2 [9.14]	31.7 [9.29]	30.6 [8.97]	29.4 [8.62]
		Sens BTUH [kW]	23.0 [6.74]	21.0 [6.15]	19.1 [5.60]	27.3 [8.00]	25.0 [7.33]	22.7 [6.65]	30.7 [9.00]	28.0 [8.21]	25.4 [7.44]
		Power	1.9	1.8	1.8	1.9	1.8	1.8	1.9	1.8	1.8
	90 [32.2]	Total BTUH [kW]	35.3 [10.35]	34.1 [9.99]	32.9 [9.64]	32.6 [9.55]	31.4 [9.20]	30.3 [8.88]	30.6 [8.97]	29.6 [8.67]	28.5 [8.35]
Sens BTUH [kW]		22.5 [6.59]	20.6 [6.04]	18.7 [5.48]	26.9 [7.88]	24.6 [7.21]	22.3 [6.54]	30.1 [8.82]	27.6 [8.09]	25.0 [7.33]	
Power		2.0	2.0	1.9	2.0	2.0	1.9	2.0	2.0	1.9	
95 [35]	Total BTUH [kW]	34.2 [10.02]	33.0 [9.67]	31.8 [9.32]	31.4 [9.20]	30.3 [8.88]	29.2 [8.56]	29.5 [8.65]	28.4 [8.32]	27.4 [8.03]	
	Sens BTUH [kW]	22.0 [6.45]	20.1 [5.89]	18.2 [5.33]	26.4 [7.74]	24.1 [7.06]	21.9 [6.42]	29.5 [8.65]	27.1 [7.94]	24.5 [7.18]	
	Power	2.1	2.1	2.0	2.1	2.1	2.0	2.1	2.1	2.0	
100 [37.8]	Total BTUH [kW]	33.0 [9.67]	31.8 [9.32]	30.7 [9.00]	30.2 [8.85]	29.1 [8.53]	28.1 [8.24]	28.3 [8.29]	27.3 [8.00]	26.3 [7.71]	
	Sens BTUH [kW]	21.4 [6.27]	19.6 [5.74]	17.8 [5.22]	25.8 [7.56]	23.6 [6.92]	21.4 [6.27]	28.3 [8.29]	26.5 [7.77]	24.1 [7.06]	
	Power	2.2	2.2	2.1	2.2	2.2	2.1	2.2	2.2	2.1	
105 [40.6]	Total BTUH [kW]	31.8 [9.32]	30.7 [9.00]	29.6 [8.67]	29.0 [8.50]	28.0 [8.21]	27.0 [7.91]	27.1 [7.94]	26.1 [7.65]	25.2 [7.39]	
	Sens BTUH [kW]	20.8 [6.10]	19.1 [5.60]	17.3 [5.07]	25.2 [7.39]	23.0 [6.74]	20.9 [6.13]	27.1 [7.94]	26.0 [7.62]	23.6 [6.92]	
	Power	2.3	2.3	2.2	2.3	2.3	2.2	2.3	2.3	2.2	
110 [43.3]	Total BTUH [kW]	30.7 [9.00]	29.7 [8.70]	28.6 [8.38]	28.0 [8.21]	27.0 [7.91]	26.0 [7.62]	26.0 [7.62]	25.1 [7.36]	24.2 [7.09]	
	Sens BTUH [kW]	20.3 [5.95]	18.6 [5.45]	16.8 [4.92]	24.6 [7.21]	22.5 [6.59]	20.4 [5.98]	26.0 [7.62]	25.1 [7.36]	23.1 [6.77]	
	Power	2.4	2.4	2.3	2.4	2.4	2.3	2.4	2.4	2.3	
115 [46.1]	Total BTUH [kW]	29.8 [8.73]	28.8 [8.44]	27.8 [8.15]	27.1 [7.94]	26.1 [7.65]	25.2 [7.39]	25.1 [7.36]	24.3 [7.12]	23.4 [6.86]	
	Sens BTUH [kW]	19.8 [5.80]	18.1 [5.30]	16.4 [4.81]	24.2 [7.09]	22.1 [6.48]	20.0 [5.86]	25.1 [7.36]	24.3 [7.12]	22.7 [6.65]	
	Power	2.5	2.5	2.4	2.5	2.5	2.4	2.5	2.5	2.4	

DR —Depression ratio
dbE—Entering air dry bulb
wbE—Entering air wet bulb

Total —Total capacity x 1000 BTUH
Sens —Sensible capacity x 1000 BTUH
Power —KW input

NOTES: ① When the entering air dry bulb is other than 80°F [27°C], adjust the sensible capacity from the table by adding [1.10 x CFM x (1 - DR) x (dbE - 80)].

[] Designates Metric Conversions

GROSS SYSTEMS PERFORMANCE DATA—RSPM-A036

ENTERING INDOOR AIR @ 80°F [26.7°C] dbE ①											
wbE		71°F [21.7°C]			67°F [19.4°C]			63°F [17.2°C]			
CFM [L/s]		1440 [680]	1200 [566]	960 [453]	1440 [680]	1200 [566]	960 [453]	1440 [680]	1200 [566]	960 [453]	
DR ①		.12	.09	.04	.12	.09	.04	.12	.09	.04	
OUTDOOR DRY BULB TEMPERATURE °F [°C]	75 [23.9]	Total BTUH [kW] Sens BTUH [kW] Power	34.5 [10.11] 21.1 [6.18] 2.1	33.3 [9.76] 19.3 [5.66] 2.0	32.0 [9.38] 17.5 [5.13] 2.0	31.6 [9.26] 26.6 [7.80] 2.1	30.5 [8.94] 24.3 [7.12] 2.0	29.4 [8.62] 22.1 [6.48] 2.0	29.1 [8.53] 29.1 [8.53] 2.0	28.1 [8.24] 28.1 [8.24] 2.0	27.1 [7.94] 26.1 [7.65] 2.0
	80 [26.7]	Total BTUH [kW] Sens BTUH [kW] Power	43.1 [12.63] 26.6 [7.80] 2.2	41.6 [12.19] 24.3 [7.12] 2.2	40.1 [11.75] 22.0 [6.45] 2.1	40.3 [11.81] 32.1 [9.41] 2.2	38.9 [11.40] 29.3 [8.59] 2.2	37.5 [10.99] 26.6 [7.80] 2.1	37.8 [11.08] 37.8 [11.08] 2.2	36.4 [10.67] 36.4 [10.67] 2.1	35.1 [10.29] 30.6 [8.97] 2.1
	85 [29.4]	Total BTUH [kW] Sens BTUH [kW] Power	46.1 [13.51] 28.6 [8.38] 2.3	44.5 [13.04] 26.2 [7.68] 2.3	42.9 [12.57] 23.7 [6.95] 2.3	43.3 [12.69] 34.1 [9.99] 2.3	41.8 [12.25] 31.2 [9.14] 2.3	40.3 [11.81] 28.3 [8.29] 2.3	40.8 [11.96] 40.8 [11.96] 2.3	39.4 [11.55] 39.4 [11.55] 2.3	37.9 [11.11] 32.3 [9.47] 2.2
	90 [32.2]	Total BTUH [kW] Sens BTUH [kW] Power	45.1 [13.22] 28.2 [8.26] 2.5	43.6 [12.78] 25.8 [7.56] 2.4	42.0 [12.31] 23.4 [6.86] 2.4	42.3 [12.40] 33.7 [9.88] 2.5	40.8 [11.96] 30.8 [9.03] 2.4	39.4 [11.55] 27.9 [8.18] 2.4	39.8 [11.66] 39.8 [11.66] 2.5	38.4 [11.25] 38.4 [11.25] 2.4	37.0 [10.84] 31.9 [9.35] 2.4
	95 [35]	Total BTUH [kW] Sens BTUH [kW] Power	41.7 [12.22] 26.3 [7.71] 2.6	40.3 [11.81] 24.0 [7.03] 2.6	38.8 [11.37] 21.8 [6.39] 2.5	38.9 [11.40] 31.8 [9.32] 2.6	37.6 [11.02] 29.1 [8.53] 2.6	36.2 [10.61] 26.4 [7.74] 2.5	36.4 [10.67] 36.4 [10.67] 2.6	35.1 [10.29] 35.1 [10.29] 2.5	33.8 [9.91] 30.4 [8.91] 2.5
	100 [37.8]	Total BTUH [kW] Sens BTUH [kW] Power	37.6 [11.02] 23.9 [7.00] 2.8	36.3 [10.64] 21.9 [6.42] 2.7	34.9 [10.23] 19.8 [5.80] 2.7	34.8 [10.20] 29.4 [8.62] 2.7	33.5 [9.82] 26.9 [7.88] 2.7	32.3 [9.47] 24.4 [7.15] 2.7	32.2 [9.44] 32.2 [9.44] 2.7	31.1 [9.11] 31.1 [9.11] 2.7	30.0 [8.79] 28.4 [8.32] 2.6
	105 [40.6]	Total BTUH [kW] Sens BTUH [kW] Power	34.3 [10.05] 22.1 [6.48] 2.9	33.1 [9.70] 20.2 [5.92] 2.8	31.9 [9.35] 18.3 [5.36] 2.8	31.5 [9.23] 27.6 [8.09] 2.9	30.4 [8.91] 25.2 [7.39] 2.8	29.3 [8.59] 22.9 [6.71] 2.8	28.9 [8.47] 28.9 [8.47] 2.9	27.9 [8.18] 27.9 [8.18] 2.8	26.9 [7.88] 26.9 [7.88] 2.8
	110 [43.3]	Total BTUH [kW] Sens BTUH [kW] Power	33.5 [9.82] 21.8 [6.39] 3.0	32.3 [9.47] 19.9 [5.83] 3.0	31.1 [9.11] 18.0 [5.28] 2.9	30.7 [9.00] 27.3 [8.00] 3.0	29.6 [8.67] 24.9 [7.30] 3.0	28.5 [8.35] 22.6 [6.62] 2.9	28.1 [8.24] 28.1 [8.24] 3.0	27.1 [7.94] 27.1 [7.94] 3.0	26.1 [7.65] 26.1 [7.65] 2.9
115 [46.1]	Total BTUH [kW] Sens BTUH [kW] Power	36.8 [10.79] 23.9 [7.00] 3.2	35.5 [10.40] 21.9 [6.42] 3.1	34.2 [10.02] 19.9 [5.83] 3.1	34.0 [9.96] 29.4 [8.62] 3.2	32.8 [9.61] 26.9 [7.88] 3.1	31.6 [9.26] 24.4 [7.15] 3.1	31.4 [9.20] 31.4 [9.20] 3.1	30.3 [8.88] 30.3 [8.88] 3.1	29.2 [8.56] 29.2 [8.56] 3.0	

GROSS SYSTEMS PERFORMANCE DATA—RSPM-A042

ENTERING INDOOR AIR @ 80°F [26.7°C] dbE ①											
wbE		71°F [21.7°C]			67°F [19.4°C]			63°F [17.2°C]			
CFM [L/s]		1680 [793]	1400 [661]	1120 [529]	1680 [793]	1400 [661]	1120 [529]	1680 [793]	1400 [661]	1120 [529]	
DR ①		.11	.07	.03	.11	.07	.03	.11	.07	.03	
OUTDOOR DRY BULB TEMPERATURE °F [°C]	75 [23.9]	Total BTUH [kW] Sens BTUH [kW] Power	54.2 [15.88] 34.3 [10.05] 2.4	52.3 [15.33] 31.3 [9.17] 2.3	50.4 [14.77] 28.4 [8.32] 2.3	51.1 [14.98] 40.5 [11.87] 2.4	49.3 [14.45] 37.1 [10.87] 2.3	47.5 [13.92] 33.6 [9.85] 2.3	48.6 [14.24] 46.7 [13.69] 2.3	46.9 [13.75] 42.7 [12.51] 2.3	45.2 [13.25] 38.7 [11.34] 2.3
	80 [26.7]	Total BTUH [kW] Sens BTUH [kW] Power	52.6 [15.42] 33.3 [9.76] 2.6	50.7 [14.86] 30.4 [8.91] 2.5	48.9 [14.33] 27.6 [8.09] 2.5	49.5 [14.51] 39.5 [11.58] 2.5	47.8 [14.01] 36.2 [10.61] 2.5	46.1 [13.51] 32.8 [9.61] 2.5	47.0 [13.77] 45.8 [13.42] 2.5	45.3 [13.28] 41.8 [12.25] 2.5	43.7 [12.81] 37.9 [11.11] 2.4
	85 [29.4]	Total BTUH [kW] Sens BTUH [kW] Power	51.1 [14.98] 32.4 [9.50] 2.7	49.3 [14.45] 29.7 [8.70] 2.7	47.5 [13.92] 26.9 [7.88] 2.7	48.0 [14.07] 38.7 [11.34] 2.7	46.4 [13.60] 35.4 [10.37] 2.7	44.7 [13.10] 32.1 [9.41] 2.6	45.5 [13.33] 44.9 [13.16] 2.7	43.9 [12.87] 41.0 [12.02] 2.7	42.3 [12.40] 37.2 [10.90] 2.6
	90 [32.2]	Total BTUH [kW] Sens BTUH [kW] Power	49.7 [14.57] 31.7 [9.29] 2.9	47.9 [14.04] 29.0 [8.50] 2.9	46.2 [13.54] 26.3 [7.71] 2.8	46.6 [13.66] 38.0 [11.14] 2.9	45.0 [13.19] 34.7 [10.17] 2.9	43.3 [12.69] 31.5 [9.23] 2.8	44.1 [12.92] 44.1 [12.92] 2.9	42.5 [12.46] 40.4 [11.84] 2.8	41.0 [12.02] 36.6 [10.73] 2.8
	95 [35]	Total BTUH [kW] Sens BTUH [kW] Power	48.3 [14.16] 31.1 [9.11] 3.1	46.6 [13.66] 28.4 [8.32] 3.1	44.9 [13.16] 25.8 [7.56] 3.0	45.2 [13.25] 37.3 [10.93] 3.1	43.6 [12.78] 34.1 [9.99] 3.0	42.1 [12.34] 31.0 [9.09] 3.0	42.7 [12.51] 42.7 [12.51] 3.1	41.2 [12.07] 39.9 [11.69] 3.0	39.7 [11.63] 36.1 [10.58] 3.0
	100 [37.8]	Total BTUH [kW] Sens BTUH [kW] Power	46.9 [13.75] 30.4 [8.91] 3.3	45.2 [13.25] 27.8 [8.15] 3.2	43.6 [12.78] 25.2 [7.39] 3.2	43.8 [12.84] 36.7 [10.76] 3.3	42.3 [12.40] 33.6 [9.85] 3.2	40.8 [11.96] 30.4 [8.91] 3.2	41.3 [12.10] 41.3 [12.10] 3.3	39.8 [11.66] 39.2 [11.49] 3.2	38.4 [11.25] 35.6 [10.43] 3.1
	105 [40.6]	Total BTUH [kW] Sens BTUH [kW] Power	45.4 [13.31] 29.8 [8.73] 3.5	43.8 [12.84] 27.3 [8.00] 3.4	42.2 [12.37] 24.7 [7.24] 3.4	42.4 [12.43] 36.1 [10.58] 3.5	40.9 [11.99] 33.0 [9.67] 3.4	39.4 [11.55] 29.9 [8.76] 3.4	39.8 [11.66] 39.8 [11.66] 3.4	38.4 [11.25] 38.4 [11.25] 3.4	37.0 [10.84] 35.1 [10.29] 3.3
	110 [43.3]	Total BTUH [kW] Sens BTUH [kW] Power	43.9 [12.87] 29.2 [8.56] 3.7	42.4 [12.43] 26.7 [7.83] 3.6	40.8 [11.96] 24.2 [7.09] 3.5	40.9 [11.99] 35.4 [10.37] 3.7	39.4 [11.55] 32.4 [9.50] 3.6	38.0 [11.14] 29.4 [8.62] 3.5	38.3 [11.22] 38.3 [11.22] 3.6	37.0 [10.84] 37.0 [10.84] 3.6	35.6 [10.43] 34.5 [10.11] 3.5
115 [46.1]	Total BTUH [kW] Sens BTUH [kW] Power	42.3 [12.40] 28.5 [8.35] 3.8	40.8 [11.96] 26.0 [7.62] 3.8	39.3 [11.52] 23.6 [6.92] 3.7	39.3 [11.52] 34.7 [10.17] 3.8	37.9 [11.11] 31.8 [9.32] 3.8	36.5 [10.70] 28.8 [8.44] 3.7	36.7 [10.76] 36.7 [10.76] 3.8	35.4 [10.37] 35.4 [10.37] 3.7	34.1 [9.99] 33.9 [9.94] 3.7	

DR —Depression ratio
dbE —Entering air dry bulb
wbE —Entering air wet bulb

Total —Total capacity x 1000 BTUH
Sens —Sensible capacity x 1000 BTUH
Power —KW input

NOTES: ① When the entering air dry bulb is other than 80°F [27°C], adjust the sensible capacity from the table by adding [1.10 x CFM x (1 - DR) x (dbE - 80)].

[] Designates Metric Conversions

GROSS SYSTEMS PERFORMANCE DATA—RSPM-A043CK

		ENTERING INDOOR AIR @ 80°F [26.7°C] dbE ①									
wbE		71°F [21.7°C]			67°F [19.4°C]			63°F [17.2°C]			
CFM [L/s]		1680 [793]	1400 [661]	1120 [529]	1680 [793]	1400 [661]	1120 [529]	1680 [793]	1400 [661]	1120 [529]	
DR ①		.05	.09	.12	.05	.09	.12	.05	.09	.12	
OUTDOOR DRY BULB TEMPERATURE °F [°C]	75 [23.9]	Total BTUH [kW] Sens BTUH [kW] Power	51.7 [15.2] 31.5 [9.2] 2.6	49.9 [14.6] 27.0 [7.9] 2.6	48.1 [14.1] 22.8 [6.7] 2.5	49.5 [14.5] 39.5 [11.6] 2.6	47.7 [14.0] 34.3 [10.1] 2.6	46.0 [13.5] 29.6 [8.7] 2.5	46.4 [13.6] 43.4 [12.7] 2.6	44.8 [13.1] 38.1 [11.2] 2.5	43.2 [12.7] 33.1 [9.7] 2.5
	80 [26.7]	Total BTUH [kW] Sens BTUH [kW] Power	50.6 [14.8] 31.3 [9.2] 2.8	48.8 [14.3] 26.8 [7.9] 2.7	47.0 [13.8] 22.7 [6.7] 2.7	48.4 [14.2] 39.3 [11.5] 2.8	46.7 [13.7] 34.2 [10.0] 2.7	45.0 [13.2] 29.5 [8.7] 2.7	45.4 [13.3] 43.3 [12.7] 2.7	43.8 [12.8] 38.0 [11.1] 2.7	42.2 [12.4] 33.0 [9.7] 2.7
	85 [29.4]	Total BTUH [kW] Sens BTUH [kW] Power	49.4 [14.5] 30.9 [9.1] 3.0	47.7 [14.0] 26.6 [7.8] 2.9	45.9 [13.5] 22.5 [6.6] 2.9	47.2 [13.8] 38.9 [11.4] 2.9	45.5 [13.3] 33.9 [9.9] 2.9	43.9 [12.9] 29.3 [8.6] 2.8	44.2 [13.0] 43.0 [12.6] 2.9	42.6 [12.5] 37.7 [11.1] 2.9	41.1 [12.0] 32.8 [9.6] 2.8
	90 [32.2]	Total BTUH [kW] Sens BTUH [kW] Power	48.1 [14.1] 30.4 [8.9] 3.1	46.4 [13.6] 26.1 [7.7] 3.1	44.7 [13.1] 22.1 [6.5] 3.0	45.9 [13.5] 38.4 [11.3] 3.1	44.2 [13.0] 33.4 [9.8] 3.1	42.6 [12.5] 28.8 [8.5] 3.0	42.8 [12.5] 42.3 [12.4] 3.1	41.3 [12.1] 37.2 [10.9] 3.0	39.8 [11.7] 32.4 [9.5] 3.0
	95 [35]	Total BTUH [kW] Sens BTUH [kW] Power	46.6 [13.7] 29.6 [8.7] 3.3	45.0 [13.2] 25.5 [7.5] 3.3	43.3 [12.7] 21.6 [6.3] 3.2	44.4 [13.0] 37.6 [11.0] 3.3	42.8 [12.5] 32.8 [9.6] 3.3	41.3 [12.1] 28.4 [8.3] 3.2	41.4 [12.1] 41.4 [12.1] 3.3	39.9 [11.7] 36.6 [10.7] 3.2	38.5 [11.3] 31.9 [9.4] 3.2
	100 [37.8]	Total BTUH [kW] Sens BTUH [kW] Power	45.0 [13.2] 28.8 [8.5] 3.5	43.5 [12.7] 24.8 [7.3] 3.5	41.9 [12.3] 21.0 [6.2] 3.4	42.8 [12.5] 36.7 [10.8] 3.5	41.3 [12.1] 32.1 [9.4] 3.4	39.8 [11.7] 27.7 [8.1] 3.4	39.8 [11.7] 39.8 [11.7] 3.5	38.4 [11.3] 35.9 [10.5] 3.4	37.0 [10.8] 31.3 [9.2] 3.4
	105 [40.6]	Total BTUH [kW] Sens BTUH [kW] Power	43.4 [12.7] 27.9 [8.2] 3.7	41.8 [12.3] 23.9 [7.0] 3.7	40.3 [11.8] 20.3 [6.0] 3.6	41.1 [12.0] 35.6 [10.4] 3.7	39.7 [11.6] 31.2 [9.2] 3.7	38.3 [11.2] 27.0 [7.9] 3.6	38.1 [11.2] 38.1 [11.2] 3.7	36.8 [10.8] 35.0 [10.3] 3.6	35.4 [10.4] 30.5 [8.9] 3.6
	110 [43.3]	Total BTUH [kW] Sens BTUH [kW] Power	41.5 [12.2] 26.6 [7.8] 4.0	40.1 [11.8] 22.9 [6.7] 3.9	38.6 [11.3] 19.4 [5.7] 3.8	39.3 [11.5] 34.4 [10.1] 3.9	38.0 [11.1] 30.2 [8.9] 3.9	36.6 [10.7] 26.1 [7.7] 3.8	36.3 [10.6] 36.3 [10.6] 3.9	35.0 [10.3] 33.9 [9.9] 3.9	33.8 [9.9] 29.6 [8.7] 3.8
	115 [46.1]	Total BTUH [kW] Sens BTUH [kW] Power	39.6 [11.6] 25.1 [7.4] 4.2	38.2 [11.2] 21.6 [6.3] 4.1	36.8 [10.8] 18.3 [5.4] 4.0	37.4 [11.0] 33.1 [9.7] 4.2	36.1 [10.6] 29.0 [8.5] 4.1	34.8 [10.2] 25.1 [7.4] 4.0	34.4 [10.1] 34.4 [10.1] 4.2	33.2 [9.7] 32.8 [9.6] 4.1	32.0 [9.4] 28.7 [8.4] 4.0

GROSS SYSTEMS PERFORMANCE DATA—RSPM-A043JK

		ENTERING INDOOR AIR @ 80°F [26.7°C] dbE ①									
wbE		71°F [21.7°C]			67°F [19.4°C]			63°F [17.2°C]			
CFM [L/s]		1680 [793]	1400 [661]	1120 [529]	1680 [793]	1400 [661]	1120 [529]	1680 [793]	1400 [661]	1120 [529]	
DR ①		.05	.09	.12	.05	.09	.12	.05	.09	.12	
OUTDOOR DRY BULB TEMPERATURE °F [°C]	75 [23.9]	Total BTUH [kW] Sens BTUH [kW] Power	51.7 [15.2] 31.5 [9.2] 2.6	49.9 [14.6] 27.0 [7.9] 2.6	48.1 [14.1] 22.8 [6.7] 2.5	49.5 [14.5] 39.5 [11.6] 2.6	47.7 [14.0] 34.3 [10.1] 2.6	46.0 [13.5] 29.6 [8.7] 2.5	46.4 [13.6] 43.4 [12.7] 2.6	44.8 [13.1] 38.1 [11.2] 2.5	43.2 [12.7] 33.1 [9.7] 2.5
	80 [26.7]	Total BTUH [kW] Sens BTUH [kW] Power	50.6 [14.8] 31.3 [9.2] 2.8	48.8 [14.3] 26.8 [7.9] 2.7	47.0 [13.8] 22.7 [6.7] 2.7	48.4 [14.2] 39.3 [11.5] 2.8	46.7 [13.7] 34.2 [10.0] 2.7	45.0 [13.2] 29.5 [8.7] 2.7	45.4 [13.3] 43.3 [12.7] 2.7	43.8 [12.8] 38.0 [11.1] 2.7	42.2 [12.4] 33.0 [9.7] 2.7
	85 [29.4]	Total BTUH [kW] Sens BTUH [kW] Power	49.4 [14.5] 30.9 [9.1] 3.0	47.7 [14.0] 26.6 [7.8] 2.9	45.9 [13.5] 22.5 [6.6] 2.9	47.2 [13.8] 38.9 [11.4] 2.9	45.5 [13.3] 33.9 [9.9] 2.9	43.9 [12.9] 29.3 [8.6] 2.8	44.2 [13.0] 43.0 [12.6] 2.9	42.6 [12.5] 37.7 [11.1] 2.9	41.1 [12.0] 32.8 [9.6] 2.8
	90 [32.2]	Total BTUH [kW] Sens BTUH [kW] Power	48.1 [14.1] 30.4 [8.9] 3.1	46.4 [13.6] 26.1 [7.7] 3.1	44.7 [13.1] 22.1 [6.5] 3.0	45.9 [13.5] 38.4 [11.3] 3.1	44.2 [13.0] 33.4 [9.8] 3.1	42.6 [12.5] 28.8 [8.5] 3.0	42.8 [12.5] 42.3 [12.4] 3.1	41.3 [12.1] 37.2 [10.9] 3.0	39.8 [11.7] 32.4 [9.5] 3.0
	95 [35]	Total BTUH [kW] Sens BTUH [kW] Power	46.6 [13.7] 29.6 [8.7] 3.3	45.0 [13.2] 25.5 [7.5] 3.3	43.3 [12.7] 21.6 [6.3] 3.2	44.4 [13.0] 37.6 [11.0] 3.3	42.8 [12.5] 32.8 [9.6] 3.3	41.3 [12.1] 28.4 [8.3] 3.2	41.4 [12.1] 41.4 [12.1] 3.3	39.9 [11.7] 36.6 [10.7] 3.2	38.5 [11.3] 31.9 [9.4] 3.2
	100 [37.8]	Total BTUH [kW] Sens BTUH [kW] Power	45.0 [13.2] 28.8 [8.5] 3.5	43.5 [12.7] 24.8 [7.3] 3.5	41.9 [12.3] 21.0 [6.2] 3.4	42.8 [12.5] 36.7 [10.8] 3.5	41.3 [12.1] 32.1 [9.4] 3.4	39.8 [11.7] 27.7 [8.1] 3.4	39.8 [11.7] 39.8 [11.7] 3.5	38.4 [11.3] 35.9 [10.5] 3.4	37.0 [10.8] 31.3 [9.2] 3.4
	105 [40.6]	Total BTUH [kW] Sens BTUH [kW] Power	43.4 [12.7] 27.9 [8.2] 3.7	41.8 [12.3] 23.9 [7.0] 3.7	40.3 [11.8] 20.3 [6.0] 3.6	41.1 [12.0] 35.6 [10.4] 3.7	39.7 [11.6] 31.2 [9.2] 3.7	38.3 [11.2] 27.0 [7.9] 3.6	38.1 [11.2] 38.1 [11.2] 3.7	36.8 [10.8] 35.0 [10.3] 3.6	35.4 [10.4] 30.5 [8.9] 3.6
	110 [43.3]	Total BTUH [kW] Sens BTUH [kW] Power	41.5 [12.2] 26.6 [7.8] 4.0	40.1 [11.8] 22.9 [6.7] 3.9	38.6 [11.3] 19.4 [5.7] 3.8	39.3 [11.5] 34.4 [10.1] 3.9	38.0 [11.1] 30.2 [8.9] 3.9	36.6 [10.7] 26.1 [7.7] 3.8	36.3 [10.6] 36.3 [10.6] 3.9	35.0 [10.3] 33.9 [9.9] 3.9	33.8 [9.9] 29.6 [8.7] 3.8
	115 [46.1]	Total BTUH [kW] Sens BTUH [kW] Power	39.6 [11.6] 25.1 [7.4] 4.2	38.2 [11.2] 21.6 [6.3] 4.1	36.8 [10.8] 18.3 [5.4] 4.0	37.4 [11.0] 33.1 [9.7] 4.2	36.1 [10.6] 29.0 [8.5] 4.1	34.8 [10.2] 25.1 [7.4] 4.0	34.4 [10.1] 34.4 [10.1] 4.2	33.2 [9.7] 32.8 [9.6] 4.1	32.0 [9.4] 28.7 [8.4] 4.0

DR —Depression ratio
dbE—Entering air dry bulb
wbE—Entering air wet bulb

Total —Total capacity x 1000 BTUH
Sens —Sensible capacity x 1000 BTUH
Power —KW input

NOTES: ① When the entering air dry bulb is other than 80°F [27°C], adjust the sensible capacity from the table by adding [1.10 x CFM x (1 - DR) x (dbE - 80)].

[] Designates Metric Conversions

GROSS SYSTEMS PERFORMANCE DATA—RSPM-A048

ENTERING INDOOR AIR @ 80°F [26.7°C] dbE ①											
wbE			71°F [21.7°C]			67°F [19.4°C]			63°F [17.2°C]		
CFM [L/s]			1920 [906]	1600 [755]	1280 [604]	1920 [906]	1600 [755]	1280 [604]	1920 [906]	1600 [755]	1280 [604]
DR ①			.12	.09	.04	.12	.09	.04	.12	.09	.04
OUTDOOR DRY BULB TEMPERATURE °F [°C]	75 [23.9]	Total BTUH [kW]	61.1 [17.91]	59.0 [17.29]	56.8 [16.65]	57.3 [16.79]	55.3 [16.21]	53.3 [15.62]	54.4 [15.94]	52.5 [15.39]	50.6 [14.83]
		Sens BTUH [kW]	37.7 [11.05]	34.5 [10.11]	31.2 [9.14]	44.7 [13.10]	40.9 [11.99]	37.1 [10.87]	50.4 [14.77]	46.1 [13.51]	41.8 [12.25]
		Power	2.5	2.4	2.4	2.4	2.4	2.4	2.4	2.5	2.4
	80 [26.7]	Total BTUH [kW]	59.3 [17.38]	57.2 [16.76]	55.1 [16.15]	55.5 [16.27]	53.5 [15.68]	51.6 [15.12]	52.6 [15.42]	50.7 [14.86]	48.9 [14.33]
		Sens BTUH [kW]	37.0 [10.84]	33.9 [9.94]	30.7 [9.00]	44.1 [12.92]	40.3 [11.81]	36.5 [10.70]	49.7 [14.57]	45.5 [13.33]	41.2 [12.07]
		Power	2.6	2.6	2.6	2.6	2.6	2.5	2.6	2.6	2.5
	85 [29.4]	Total BTUH [kW]	57.6 [16.88]	55.6 [16.29]	53.5 [15.68]	53.8 [15.77]	51.9 [15.21]	50.0 [14.65]	50.9 [14.92]	49.1 [14.39]	47.3 [13.86]
		Sens BTUH [kW]	36.3 [10.64]	33.2 [9.73]	30.1 [8.82]	43.4 [12.72]	39.7 [11.63]	36.0 [10.55]	49.1 [14.39]	44.8 [13.13]	40.6 [11.90]
		Power	2.8	2.8	2.7	2.8	2.7	2.7	2.8	2.7	2.7
	90 [32.2]	Total BTUH [kW]	56.0 [16.41]	54.0 [15.83]	52.1 [15.27]	52.2 [15.30]	50.4 [14.77]	48.5 [14.21]	49.3 [14.45]	47.6 [13.95]	45.9 [13.45]
Sens BTUH [kW]		35.6 [10.43]	32.6 [9.55]	29.5 [8.65]	42.7 [12.51]	39.0 [11.43]	35.4 [10.37]	48.4 [14.18]	44.2 [12.95]	40.1 [11.75]	
Power		3.0	2.9	2.9	2.9	2.9	2.8	2.9	2.9	2.8	
95 [35]	Total BTUH [kW]	54.5 [15.97]	52.6 [15.42]	50.7 [14.86]	50.7 [14.86]	48.9 [14.33]	47.2 [13.83]	47.8 [14.01]	46.2 [13.54]	44.5 [13.04]	
	Sens BTUH [kW]	34.9 [10.23]	31.9 [9.35]	28.9 [8.47]	41.9 [12.28]	38.3 [11.22]	34.8 [10.20]	47.4 [13.89]	43.5 [12.75]	39.4 [11.55]	
	Power	3.1	3.1	3.0	3.1	3.0	3.0	3.1	3.1	3.0	
100 [37.8]	Total BTUH [kW]	53.1 [15.56]	51.2 [15.01]	49.4 [14.48]	49.3 [14.45]	47.6 [13.95]	45.8 [13.42]	46.4 [13.60]	44.8 [13.13]	43.1 [12.63]	
	Sens BTUH [kW]	34.1 [9.99]	31.2 [9.14]	28.3 [8.29]	41.2 [12.07]	37.7 [11.05]	34.1 [9.99]	46.4 [13.60]	42.8 [12.54]	38.8 [11.37]	
	Power	3.3	3.2	3.2	3.2	3.2	3.1	3.3	3.2	3.2	
105 [40.6]	Total BTUH [kW]	51.7 [15.15]	49.8 [14.59]	48.0 [14.07]	47.8 [14.01]	46.2 [13.54]	44.5 [13.04]	45.0 [13.19]	43.4 [12.72]	41.8 [12.25]	
	Sens BTUH [kW]	33.4 [9.79]	30.5 [8.94]	27.7 [8.12]	40.4 [11.84]	37.0 [10.84]	33.5 [9.82]	45.0 [13.19]	42.1 [12.34]	38.2 [11.20]	
	Power	3.5	3.4	3.3	3.4	3.4	3.3	3.4	3.4	3.3	
110 [43.3]	Total BTUH [kW]	50.2 [14.71]	48.4 [14.18]	46.7 [13.69]	46.4 [13.60]	44.8 [13.13]	43.1 [12.63]	43.5 [12.75]	42.0 [12.31]	40.5 [11.87]	
	Sens BTUH [kW]	32.6 [9.55]	29.8 [8.73]	27.0 [7.91]	39.6 [11.61]	36.2 [10.61]	32.9 [9.64]	43.5 [12.75]	41.4 [12.13]	37.5 [10.99]	
	Power	3.6	3.6	3.5	3.6	3.5	3.5	3.6	3.5	3.5	
115 [46.1]	Total BTUH [kW]	48.7 [14.27]	46.9 [13.75]	45.2 [13.25]	44.9 [13.16]	43.3 [12.69]	41.7 [12.22]	42.0 [12.31]	40.5 [11.87]	39.0 [11.43]	
	Sens BTUH [kW]	31.8 [9.32]	29.1 [8.53]	26.4 [7.74]	38.9 [11.40]	35.5 [10.40]	32.2 [9.44]	42.0 [12.31]	40.5 [11.87]	36.9 [10.81]	
	Power	3.8	3.7	3.6	3.7	3.7	3.6	3.8	3.7	3.6	

GROSS SYSTEMS PERFORMANCE DATA—RSPM-A060

ENTERING INDOOR AIR @ 80°F [26.7°C] dbE ①											
wbE			71°F [21.7°C]			67°F [19.4°C]			63°F [17.2°C]		
CFM [L/s]			2280 [1076]	1900 [897]	1520 [717]	2280 [1076]	1900 [897]	1520 [717]	2280 [1076]	1900 [897]	1520 [717]
DR ①			.10	.07	.02	.10	.07	.02	.10	.07	.02
OUTDOOR DRY BULB TEMPERATURE °F [°C]	75 [23.9]	Total BTUH [kW]	76.2 [22.33]	73.5 [21.54]	70.8 [20.75]	73.5 [21.54]	70.9 [20.78]	68.4 [20.05]	69.2 [20.28]	66.8 [19.58]	64.3 [18.84]
		Sens BTUH [kW]	46.2 [13.54]	42.2 [12.37]	38.3 [11.22]	56.0 [16.41]	51.3 [15.03]	46.5 [13.63]	63.3 [18.55]	57.9 [16.97]	52.5 [15.39]
		Power	3.4	3.3	3.3	3.3	3.2	3.2	3.3	3.3	3.2
	80 [26.7]	Total BTUH [kW]	74.6 [21.86]	71.9 [21.07]	69.3 [20.31]	71.9 [21.07]	69.4 [20.34]	66.8 [19.58]	67.6 [19.81]	65.2 [19.11]	62.8 [18.40]
		Sens BTUH [kW]	45.4 [13.31]	41.5 [12.16]	37.6 [11.02]	55.2 [16.18]	50.5 [14.80]	45.8 [13.42]	62.5 [18.32]	57.2 [16.76]	51.9 [15.21]
		Power	3.6	3.5	3.5	3.5	3.4	3.4	3.5	3.4	3.4
	85 [29.4]	Total BTUH [kW]	72.8 [21.34]	70.3 [20.60]	67.7 [19.84]	70.1 [20.54]	67.7 [19.84]	65.2 [19.11]	65.8 [19.28]	63.5 [18.61]	61.2 [17.94]
		Sens BTUH [kW]	44.6 [13.07]	40.8 [11.96]	37.0 [10.84]	54.5 [15.97]	49.8 [14.59]	45.2 [13.25]	61.8 [18.17]	56.5 [16.56]	51.2 [15.01]
		Power	3.8	3.8	3.7	3.7	3.7	3.6	3.7	3.7	3.6
	90 [32.2]	Total BTUH [kW]	70.9 [20.78]	68.4 [20.05]	65.9 [19.31]	68.2 [19.99]	65.9 [19.31]	63.5 [18.61]	63.9 [18.73]	61.7 [18.08]	59.4 [17.41]
Sens BTUH [kW]		43.8 [12.84]	40.1 [11.75]	36.4 [10.67]	53.7 [15.74]	49.1 [14.39]	44.5 [13.04]	61.0 [17.88]	55.8 [16.35]	50.6 [14.83]	
Power		4.0	4.0	3.9	3.9	3.9	3.8	3.9	3.9	3.8	
95 [35]	Total BTUH [kW]	68.9 [20.19]	66.5 [19.49]	64.1 [18.79]	66.2 [19.40]	63.9 [18.73]	61.6 [18.05]	61.9 [18.14]	59.7 [17.50]	57.6 [16.88]	
	Sens BTUH [kW]	43.0 [12.60]	39.4 [11.55]	35.7 [10.46]	52.9 [15.50]	48.4 [14.18]	43.9 [12.87]	60.4 [17.70]	55.1 [16.15]	49.9 [14.62]	
	Power	4.3	4.2	4.1	4.2	4.1	4.0	4.1	4.1	4.0	
100 [37.8]	Total BTUH [kW]	66.7 [19.55]	64.4 [18.87]	62.1 [18.20]	64.1 [18.79]	61.8 [18.11]	59.6 [17.47]	59.8 [17.53]	57.7 [16.91]	55.6 [16.29]	
	Sens BTUH [kW]	42.1 [12.34]	38.6 [11.31]	35.0 [10.26]	52.0 [15.24]	47.6 [13.95]	43.1 [12.63]	59.2 [17.35]	54.3 [15.91]	49.2 [14.42]	
	Power	4.5	4.4	4.3	4.4	4.3	4.2	4.4	4.3	4.2	
105 [40.6]	Total BTUH [kW]	64.5 [18.90]	62.2 [18.23]	59.9 [17.55]	61.8 [18.11]	59.6 [17.47]	57.4 [16.82]	57.5 [16.85]	55.5 [16.27]	53.4 [15.65]	
	Sens BTUH [kW]	41.1 [12.05]	37.6 [11.02]	34.1 [9.99]	51.0 [14.95]	46.6 [13.66]	42.3 [12.40]	57.5 [16.85]	53.3 [15.62]	48.3 [14.16]	
	Power	4.7	4.6	4.5	4.6	4.5	4.4	4.6	4.5	4.4	
110 [43.3]	Total BTUH [kW]	62.0 [18.17]	59.9 [17.55]	57.7 [16.91]	59.4 [17.41]	57.3 [16.79]	55.2 [16.18]	55.0 [16.12]	53.1 [15.56]	51.2 [15.01]	
	Sens BTUH [kW]	39.9 [11.69]	36.5 [10.70]	33.1 [9.70]	49.8 [14.59]	45.5 [13.33]	41.3 [12.10]	55.0 [16.12]	52.2 [15.30]	47.3 [13.86]	
	Power	4.9	4.8	4.8	4.8	4.7	4.7	4.8	4.7	4.6	
115 [46.1]	Total BTUH [kW]	59.5 [17.44]	57.4 [16.82]	55.3 [16.21]	56.8 [16.65]	54.8 [16.06]	52.8 [15.47]	52.5 [15.39]	50.7 [14.86]	48.8 [14.30]	
	Sens BTUH [kW]	38.4 [11.25]	35.2 [10.32]	31.9 [9.35]	48.3 [14.16]	44.2 [12.95]	40.1 [11.75]	52.5 [15.39]	50.7 [14.86]	46.1 [13.51]	
	Power	5.1	5.1	5.0	5.0	5.0	4.9	5.0	4.9	4.9	

DR —Depression ratio
dbE —Entering air dry bulb
wbE —Entering air wet bulb

Total —Total capacity x 1000 BTUH
Sens —Sensible capacity x 1000 BTUH
Power —kW input

NOTES: ① When the entering air dry bulb is other than 80°F [27°C], adjust the sensible capacity from the table by adding [1.10 x CFM x (1 - DR) x (dbE - 80)].

[] Designates Metric Conversions

INDOOR AIRFLOW PERFORMANCE — 230 VOLTS

Nominal Cooling Capacity Tons [kW]	Motor Speed from Factory	Manufacturer Recommended Air-Flow Range (Min/Max) CFM	Blower Size/ Motor HP [W] & # of Speeds	Motor Speed	CFM [L/s] Air Delivery/RPM/Watts—230 Volts Side Discharge—Wet Coil										
					External Static Pressure—Inches W.C. [kPa]										
					0.1 [0.02]	0.2 [0.05]	0.3 [0.07]	0.4 [0.10]	0.5 [0.12]	0.6 [0.15]	0.7 [0.17]	0.8 [0.20]	0.9 [0.22]	1.0 [0.25]	
2.0 [7.03]	Low	700/900	10x9 1/4 HP [186] 2 Speed Motor (PSC Motor)	Low	CFM	827 [390]	811 [383]	782 [369]	740 [349]	684 [323]	614 [290]	531 [251]	435 [205]	—	—
					RPM	450	533	626	742	799	894	932	985	—	—
					Watts	278	273	269	254	244	227	216	198	—	—
					CFM	1230 [580]	1223 [577]	1216 [574]	1211 [572]	1187 [560]	1125 [531]	1020 [481]	874 [412]	696 [328]	504 [238]
2.5 [8.79]	Low	875/1125	10x9 1/3 HP [249] 2 Speed Motor (PSC Motor)	Low	CFM	1032 [487]	1030 [486]	1014 [479]	979 [462]	923 [436]	843 [398]	735 [347]	596 [281]	423 [200]	—
					RPM	533	570	659	746	795	863	934	1019	1050	—
					Watts	336	331	326	314	303	280	271	227	210	—
					CFM	1312 [619]	1301 [614]	1292 [610]	1276 [602]	1246 [588]	1196 [564]	1117 [527]	1003 [473]	845 [399]	—
3.0 [10.55]	Low	1050/1350	10x9 1/2 HP [373] 2 Speed Motor (PSC Motor)	Low	CFM	1261 [595]	1253 [591]	1225 [578]	1177 [555]	1110 [524]	1023 [483]	915 [432]	788 [372]	641 [303]	—
					RPM	648	705	754	802	854	896	985	1008	1041	—
					Watts	398	395	387	391	370	361	323	310	300	—
					CFM	2068 [976]	2008 [948]	1957 [924]	1905 [899]	1841 [869]	1753 [827]	1629 [769]	1458 [688]	1228 [580]	929 [438]
3.5 [12.31]	Low	1225/1575	11x9 1/2 HP [373] 2 Speed Motor (PSC Motor)	High	CFM	850	883	917	946	972	999	1028	1049	1091	1108
					Watts	826	806	784	762	734	702	658	626	546	512
					CFM	1431 [675]	1394 [658]	1348 [636]	1302 [614]	1258 [594]	1208 [570]	1140 [538]	1030 [486]	849 [401]	557 [263]
					RPM	540	579	633	686	724	776	831	868	1035	1076
4.0 [14.07]	Low	1400/1800	11x9 3/4 HP [559] 2 Speed Motor (PSC Motor)	Low	CFM	1674 [790]	1638 [773]	1595 [753]	1547 [730]	1492 [704]	1432 [676]	1365 [644]	1293 [610]	1214 [573]	1129.05 [533]
					RPM	576	618	668	708	753	789	832	874	915	954
					Watts	575	563	556	549	544	532	522	503	483	465
					CFM	1996 [942]	1976 [933]	1947 [919]	1909 [901]	1863 [879]	1808 [853]	1744 [823]	1671 [789]	1590 [750]	1500 [708]
5.0 [17.6]	Low	1750/2250	11x9 3/4 HP [559] 2 Speed Motor (PSC Motor)	High	CFM	680	722	752	781	807	833	867	912	936	973
					Watts	799	787	784	760	753	749	730	699	693	652
					CFM	2044 [965]	2017 [952]	1983 [936]	1941 [916]	1892 [893]	1836 [866]	1773 [837]	1702 [803]	1623 [766]	1537 [725]
					RPM	689	723	756	798	822	855	889	924	951	988
5.0 [17.6]	Low	1750/2250	11x9 3/4 HP [559] 2 Speed Motor (PSC Motor)	High	CFM	2693 [1271]	2654 [1253]	2606 [1230]	2549 [1203]	2483 [1172]	2408 [1136]	2323 [1096]	2230 [1052]	2127 [1004]	2015 [951]
					RPM	876	897	915	938	956	975	996	1009	1025	1044
					Watts	1438	1427	1399	1368	1340	1312	1274	1228	1192	1146

[] Designates Metric Conversions

INDOOR AIRFLOW PERFORMANCE — 208 VOLTS

Nominal Cooling Capacity Tons [kW]	Motor Speed from Factory	Manufacturer Recommended Air-Flow Range (Min/Max) CFM	Blower Size/ Motor HP [W] & # of Speeds	Motor Speed	CFM [L/s] Air Delivery/RPM/Watts—208 Volts Side Discharge—Wet Coil										
					External Static Pressure—Inches W.C. [kPa]										
					0.1 [.02]	0.2 [.05]	0.3 [.07]	0.4 [1.10]	0.5 [1.12]	0.6 [1.15]	0.7 [1.17]	0.8 [1.20]	0.9 [1.22]	1.0 [1.25]	
2.0 [7.03]	Low	700/900	10x9 1/4 HP [186] 2 Speed Motor (PSC Motor)	Low	CFM	723 [341]	692 [327]	654 [309]	609 [287]	556 [262]	496 [234]	428 [202]	—	—	—
					RPM	443	528	651	710	819	863	914	—	—	—
					Watts	230	222	219	214	202	196	184	—	—	—
2.5 [8.79]	Low	875/1125	10x9 1/3 HP [249] 2 Speed Motor (PSC Motor)	High	CFM	1062 [501]	1062 [501]	1068 [499]	1043 [492]	1013 [478]	962 [454]	884 [417]	774 [365]	627 [296]	437 [206]
					RPM	528	618	674	735	812	895	936	985	1055	1080
					Watts	396	393	384	376	361	335	318	297	244	223
3.0 [10.55]	Low	1050/1350	10x9 1/2 HP [373] 2 Speed Motor (PSC Motor)	Low	CFM	923 [436]	904 [427]	874 [412]	832 [393]	774 [365]	698 [329]	602 [284]	483 [228]	—	—
					RPM	498	543	648	728	806	853	947	989	—	—
					Watts	280	278	268	259	252	243	219	201	—	—
3.5 [12.31]	Low	1225/1575	11x9 1/2 HP [373] 2 Speed Motor (PSC Motor)	High	CFM	1164 [549]	1154 [545]	1143 [539]	1124 [530]	1090 [514]	1034 [488]	948 [447]	826 [390]	660 [311]	445 [210]
					RPM	526	596	670	744	803	864	945	971	1051	1078
					Watts	401	398	388	379	371	350	322	310	259	235
4.0 [14.07]	Low	1400/1800	11x9 3/4 HP [559] 2 Speed Motor (PSC Motor)	Low	CFM	1145 [540]	1142 [539]	1118 [528]	1073 [506]	1006 [475]	918 [433]	—	—	—	—
					RPM	556	645	703	769	828	909	—	—	—	—
					Watts	346	340	335	326	321	298	—	—	—	—
5.0 [17.6]	Low	1750/2250	11x9 3/4 HP [559] 2 Speed Motor (PSC Motor)	High	CFM	1884 [889]	1850 [873]	1815 [857]	1772 [836]	1712 [808]	1630 [769]	1516 [715]	1363 [643]	1164 [549]	910 [429]
					RPM	791	834	871	912	946	975	1004	1032	1083	1097
					Watts	704	694	675	655	638	606	581	548	464	440
5.0 [17.6]	Low	1750/2250	11x9 3/4 HP [559] 2 Speed Motor (PSC Motor)	High	CFM	1279 [604]	1237 [584]	1196 [564]	1151 [543]	1098 [518]	1032 [487]	950 [448]	846 [399]	717 [338]	558 [263]
					RPM	490	539	598	653	709	772	811	887	928	978
					Watts	401	400	393	391	381	373	364	343	329	305
5.0 [17.6]	Low	1750/2250	11x9 3/4 HP [559] 2 Speed Motor (PSC Motor)	High	CFM	1751 [826]	1729 [816]	1698 [801]	1658 [782]	1608 [759]	1549 [731]	1481 [699]	1404 [663]	1317 [622]	1221 [576]
					RPM	640	668	706	734	781	813	851	888	937	968
					Watts	660	658	651	644	628	617	603	581	557	524
5.0 [17.6]	Low	1750/2250	11x9 3/4 HP [559] 2 Speed Motor (PSC Motor)	Low	CFM	1400 [661]	1393 [657]	1373 [648]	1337 [631]	1288 [608]	1225 [578]	1147 [541]	1055 [498]	949 [448]	828 [391]
					RPM	536	578	623	677	718	782	830	863	902	976
					Watts	471	466	458	455	453	442	429	420	403	374
5.0 [17.6]	Low	1750/2250	11x9 3/4 HP [559] 2 Speed Motor (PSC Motor)	High	CFM	1786 [843]	1764 [833]	1734 [818]	1695 [800]	1649 [778]	1595 [753]	1532 [723]	1462 [690]	1384 [653]	1297 [612]
					RPM	618	643	684	726	757	805	841	883	924	955
					Watts	665	660	651	646	638	626	612	596	573	555
5.0 [17.6]	Low	1750/2250	11x9 3/4 HP [559] 2 Speed Motor (PSC Motor)	Low	CFM	1848 [872]	1821 [859]	1785 [842]	1742 [822]	1690 [798]	1630 [769]	1562 [737]	1486 [701]	1402 [662]	1309 [618]
					RPM	660	685	722	755	795	836	867	904	940	975
					Watts	731	725	720	707	698	680	665	651	623	596
5.0 [17.6]	Low	1750/2250	11x9 3/4 HP [559] 2 Speed Motor (PSC Motor)	High	CFM	2444 [1153]	2420 [1142]	2384 [1125]	2337 [1103]	2278 [1075]	2208 [1042]	2127 [1004]	2034 [960]	1930 [911]	1814 [856]
					RPM	829	838	863	885	914	936	958	983	1003	1029
					Watts	1225	1218	1197	1191	1160	1135	1105	1068	1035	980

[] Designates Metric Conversions

INDOOR AIRFLOW PERFORMANCE — 230 VOLTS

Nominal Cooling Capacity Tons [kW]	Motor Speed from Factory	Manufacturer Recommended Air-Flow Range (Min/Max) CFM	Blower Size/Motor HP [W] & # of Speeds	Motor Speed	CFM [L/s] Air Delivery/RPM/Watts—230 Volts Side Discharge—Wet Coil										
					External Static Pressure—Inches W.C. [kPa]										
					0.1 [0.02]	0.2 [0.05]	0.3 [0.07]	0.4 [0.10]	0.5 [0.12]	0.6 [0.15]	0.7 [0.17]	0.8 [0.20]	0.9 [0.22]	1.0 [0.25]	
2.0 [7.03]	Low (Tap 2)	700/900	10x9 1/4 HP [186] 2 Speed X-13 (ECM) Motor	Low (Tap 2)	CFM	939 [443]	877 [414]	816 [385]	754 [356]	693 [327]	631 [298]	570 [269]	508 [240]	447 [211]	—
					RPM	585	601	655	744	809	860	915	1001	1043	—
					Watts	131	116	97	110	121	126	136	149	152	—
2.5 [8.79]	Low (Tap 2)	875/1125	10x9 1/3 HP [249] 2 Speed X-13 (ECM) Motor	High (Tap 1)	CFM	1240 [585]	1184 [559]	1127 [532]	1071 [505]	1014 [479]	958 [452]	901 [425]	845 [399]	788 [372]	732 [345]
					RPM	607	634	698	761	815	880	946	989	1038	1091
					Watts	161	145	159	173	182	196	210	220	231	237
2.5 [8.79]	Low (Tap 2)	875/1125	10x9 1/3 HP [249] 2 Speed X-13 (ECM) Motor	Low (Tap 2)	CFM	1169 [552]	1109 [523]	1049 [495]	988 [466]	928 [438]	868 [410]	807 [381]	747 [353]	687 [324]	626 [295]
					RPM	603	619	693	756	809	893	942	989	1034	1076
					Watts	144	130	138	151	159	174	185	195	199	209
3.0 [10.55]	Low (Tap 2)	1050/1350	10x9 1/2 HP [373] 2 Speed X-13 (ECM) Motor	High (Tap 1)	CFM	1365 [644]	1316 [621]	1266 [597]	1217 [574]	1168 [551]	1119 [528]	1069 [505]	1020 [481]	971 [458]	922 [435]
					RPM	631	677	732	784	843	894	942	1035	1077	1118
					Watts	177	190	204	218	234	247	256	279	289	294
3.0 [10.55]	Low (Tap 2)	1050/1350	10x9 1/2 HP [373] 2 Speed X-13 (ECM) Motor	Low (Tap 2)	CFM	1328 [627]	1280 [604]	1231 [581]	1183 [558]	1135 [536]	1086 [513]	1038 [490]	990 [467]	941 [444]	893 [421]
					RPM	648	697	752	807	857	903	989	1036	1077	1114
					Watts	178	191	206	220	233	246	265	277	286	291
3.5 [12.31]	Low (Tap 2)	1225/1575	11x9 1/2 HP [373] 2 Speed X-13 (ECM) Motor	High (Tap 1)	CFM	1510 [713]	1464 [691]	1418 [669]	1373 [648]	1327 [626]	1281 [605]	1235 [583]	1190 [562]	1144 [540]	1098 [518]
					RPM	707	743	792	841	890	942	1031	1077	1114	1151
					Watts	248	261	277	292	307	322	334	348	366	358
3.5 [12.31]	Low (Tap 2)	1225/1575	11x9 1/2 HP [373] 2 Speed X-13 (ECM) Motor	Low (Tap 2)	CFM	1542 [728]	1490 [703]	1438 [679]	1386 [654]	1335 [630]	1283 [606]	1231 [581]	1180 [557]	1128 [532]	1076 [508]
					RPM	598	617	662	714	758	800	849	876	913	951
					Watts	244	231	237	254	270	285	304	313	326	340
4.0 [14.07]	Low (Tap 2)	1400/1800	11x9 3/4 HP [559] 2 Speed X-13 (ECM) Motor	High (Tap 1)	CFM	1740 [821]	1695 [800]	1649 [778]	1604 [757]	1558 [735]	1513 [714]	1467 [692]	1422 [671]	1376 [649]	1331 [628]
					RPM	632	665	709	749	797	833	879	917	951	981
					Watts	295	311	331	350	371	386	409	426	440	454
4.0 [14.07]	Low (Tap 2)	1400/1800	11x9 3/4 HP [559] 2 Speed X-13 (ECM) Motor	Low (Tap 2)	CFM	1701 [803]	1655 [781]	1609 [759]	1563 [738]	1517 [716]	1471 [694]	1425 [673]	1379 [651]	1333 [629]	1287 [607]
					RPM	624	648	696	743	787	826	863	895	934	970
					Watts	280	287	309	328	347	363	380	392	410	426
5.0 [17.6]	Low (Tap 2)	1750/2250	11x9 3/4 HP [559] 2 Speed X-13 (ECM) Motor	High (Tap 1)	CFM	1921 [907]	1878 [886]	1835 [866]	1792 [846]	1749 [825]	1706 [805]	1663 [785]	1620 [765]	1577 [744]	1534 [724]
					RPM	678	706	738	776	816	865	899	932	967	994
					Watts	385	400	416	439	458	484	501	517	537	550
5.0 [17.6]	Low (Tap 2)	1750/2250	11x9 3/4 HP [559] 2 Speed X-13 (ECM) Motor	Low (Tap 2)	CFM	1986 [937]	1945 [918]	1905 [899]	1864 [880]	1823 [860]	1782 [841]	1741 [822]	1700 [802]	1659 [783]	1618 [764]
					RPM	731	759	792	832	871	909	943	979	1014	1055
					Watts	446	458	477	499	521	543	562	582	600	621
5.0 [17.6]	Low (Tap 2)	1750/2250	11x9 3/4 HP [559] 2 Speed X-13 (ECM) Motor	High (Tap 1)	CFM	2229 [1052]	2190 [1034]	2152 [1016]	2114 [998]	2075 [979]	2037 [961]	1999 [943]	1960 [925]	1922 [907]	1884 [889]
					RPM	795	824	851	882	919	952	983	1013	1045	1077
					Watts	619	638	658	680	703	724	745	764	784	804

[] Designates Metric Conversions

INDOOR AIRFLOW PERFORMANCE — 208 VOLTS

Nominal Cooling Capacity Tons [kW]	Motor Speed from Factory	Manufacturer Recommended Air-Flow Range (Min/Max) CFM	Blower Size/ Motor HP [W] & # of Speeds	Motor Speed	CFM [L/s] Air Delivery/RPM/Watts—208 Volts Side Discharge—Wet Coil										
					External Static Pressure—Inches W.C. [kPa]										
					0.1 [0.02]	0.2 [0.05]	0.3 [0.07]	0.4 [1.10]	0.5 [1.12]	0.6 [1.15]	0.7 [1.17]	0.8 [1.20]	0.9 [1.22]	1.0 [1.25]	
2.0 [7.03]	Low (Tap 2)	700/900	10x9 1/4 HP [186] 2 Speed X-13 (ECM) Motor	Low (Tap 2)	CFM	959 [453]	892 [421]	825 [389]	758 [358]	691 [326]	624 [294]	557 [263]	491 [232]	—	—
					RPM	582	606	655	723	808	851	906	996	—	—
					Watts	132	110	96	106	119	123	132	144	—	—
2.5 [8.79]	Low (Tap 2)	875/1125	10x9 1/3 HP [249] 2 Speed X-13 (ECM) Motor	High (Tap 1)	CFM	1229 [580]	1170 [552]	1112 [525]	1054 [497]	996 [470]	938 [443]	879 [415]	821 [387]	763 [360]	705 [333]
					RPM	607	634	698	761	815	880	946	989	1038	1091
					Watts	161	145	159	173	182	196	210	220	231	237
3.0 [10.55]	Low (Tap 2)	1050/1350	10x9 1/2 HP [373] 2 Speed X-13 (ECM) Motor	Low (Tap 2)	CFM	1328 [627]	1276 [602]	1223 [577]	1171 [553]	1118 [528]	1066 [503]	1013 [478]	961 [454]	—	—
					RPM	642	693	747	803	852	903	988	1031	—	—
					Watts	173	187	200	214	226	238	254	263	—	—
3.5 [12.31]	Low (Tap 2)	1225/1575	11x9 1/2 HP [373] 2 Speed X-13 (ECM) Motor	High (Tap 1)	CFM	1508 [712]	1459 [689]	1409 [665]	1359 [641]	1310 [618]	1260 [595]	1210 [571]	1160 [547]	1111 [524]	1061 [501]
					RPM	698	738	789	839	888	933	983	1035	1103	1137
					Watts	243	255	271	285	299	310	322	332	343	343
4.0 [14.07]	Low (Tap 2)	1400/1800	11x9 3/4 HP [559] 2 Speed X-13 (ECM) Motor	Low (Tap 2)	CFM	1531 [723]	1477 [697]	1423 [672]	1370 [647]	1316 [621]	1262 [596]	1208 [570]	1154 [545]	1101 [520]	1047 [494]
					RPM	602	619	668	715	757	801	844	878	918	954
					Watts	238	227	236	251	266	281	296	307	320	333
5.0 [17.6]	Low (Tap 2)	1750/2250	11x9 3/4 HP [559] 2 Speed X-13 (ECM) Motor	High (Tap 1)	CFM	1724 [814]	1678 [792]	1632 [770]	1586 [749]	1540 [727]	1495 [706]	1449 [684]	1403 [662]	1357 [640]	1311 [619]
					RPM	639	671	715	759	794	834	875	911	948	977
					Watts	295	309	330	348	363	380	397	414	429	440
5.0 [17.6]	Low (Tap 2)	1750/2250	11x9 3/4 HP [559] 2 Speed X-13 (ECM) Motor	Low (Tap 2)	CFM	1708 [806]	1658 [782]	1609 [759]	1559 [736]	1510 [713]	1460 [689]	1410 [665]	1361 [642]	1311 [619]	1262 [596]
					RPM	619	651	686	741	783	822	859	894	937	971
					Watts	280	284	298	323	339	355	370	385	402	415
5.0 [17.6]	Low (Tap 2)	1750/2250	11x9 3/4 HP [559] 2 Speed X-13 (ECM) Motor	High (Tap 1)	CFM	1917 [905]	1872 [883]	1827 [862]	1782 [841]	1736 [819]	1691 [798]	1646 [777]	1601 [756]	1556 [734]	1510 [713]
					RPM	673	702	736	769	818	860	898	928	960	989
					Watts	377	392	409	426	451	473	490	504	518	531
5.0 [17.6]	Low (Tap 2)	1750/2250	11x9 3/4 HP [559] 2 Speed X-13 (ECM) Motor	Low (Tap 2)	CFM	1954 [922]	1914 [903]	1874 [884]	1833 [865]	1793 [846]	1753 [827]	1713 [808]	1673 [790]	1632 [770]	1592 [751]
					RPM	719	747	779	818	857	894	928	963	998	1038
					Watts	439	451	469	491	512	534	553	573	590	611
5.0 [17.6]	Low (Tap 2)	1750/2250	11x9 3/4 HP [559] 2 Speed X-13 (ECM) Motor	High (Tap 1)	CFM	2173 [1026]	2136 [1008]	2088 [990]	2061 [973]	2024 [955]	1986 [937]	1949 [920]	1911 [902]	1874 [884]	1837 [867]
					RPM	775	803	830	860	896	928	959	988	1019	1050
					Watts	604	622	642	663	686	706	727	745	765	784

[J] Designates Metric Conversions

ELECTRICAL DATA – RSPM													
		-A024JK	-A030JK	-A036CK	-A036JK	-A042CK	-A042JK	A043CK	A043JK	-A048CK	-A048JK	-A060CK	-A060JK
Unit Information	Unit Operating Voltage Range	187-253	187-253	187-253	187-253	187-253	187-253	187-253	187-253	187-253	187-253	187-253	187-253
	Minimum Circuit Ampacity	23/23	24/24	22/22	27/27	25/25	30/30	25/25	30/30	27/27	35/35	30/30	43/43
	Minimum Overcurrent Protection Device Size	30/30	30/30	25/25	35/35	30/30	35/35	30/30	35/35	30/30	40/40	35/35	50/50
	Maximum Overcurrent Protection Device Size	35/35	35/35	30/30	40/40	35/35	45/45	35/35	45/45	40/40	50/50	45/45	60/60
Compressor Motor	No.	1	1	1	1	1	1	1	1	1	1	1	1
	Volts	208/230	208/230	208/230	208/230	208/230	208/230	208/230	208/230	208/230	208/230	208/230	208/230
	Phase	1	1	3	1	3	1	3	1	3	1	3	1
	HP	2	2.5	3	3	3.5	3.5	3450	3450	4	4	4.5	4.5
	RPM	3450	3450	3450	3450	3450	3450	3 1/2	3.5	3450	3450	3450	3450
	Amps (RLA)	13.5/13.5	14.1/14.1	12.8/12.8	17/17	13.5/13.5	17.9/17.9	13.5/13.5	17.9/17.9	14.7/14.7	21.2/21.2	16/16	26.4/26.4
	Amps (LRA)	58.3/58.3	73/73	95/95	96.7/96.7	88/88	112/112	88/88	112/112	115/115	115/115	110/110	134/134
Condenser Motor	No.	1	1	1	1	1	1	1	1	1	1	1	1
	Volts	208/230	208/230	208/230	208/230	208/230	208/230	208/230	208/230	208/230	208/230	208/230	208/230
	Phase	1	1	1	1	1	1	1	1	1	1	1	1
	HP	1/3	1/3	1/3	1/3	1/3	1/3	1/3	1/3	1/3	1/3	1/3	1/3
	Amps (FLA)	1.5	1.5	1.5	1.5	1.5	1.5	1.5/1.5	1.5/1.5	1.9	1.9	1.9	1.9
	Amps (LRA)	3	3	3	3	3	3	3/3	3/3	4	4	4	4
Evaporator Fan	No.	1	1	1	1	1	1	1	1	1	1	1	1
	Volts	208/230	208/230	208/230	208/230	208/230	208/230	208/230	208/230	208/230	208/230	208/230	208/230
	Phase	1	1	1	1	1	1	1	1	1	1	1	1
	HP	1/4	1/3	1/2	1/2	1/2	1/2	1/2	1/2	3/4	3/4	3/4	3/4
	Amps (FLA)	4.1	4.1	4.1	4.1	6	6	6/6	6/6	6	6	7.6	7.6

208-240 VOLT, SINGLE PHASE, 60 HZ, AUXILIARY ELECTRIC HEATER KITS CHARACTERISTICS AND APPLICATION

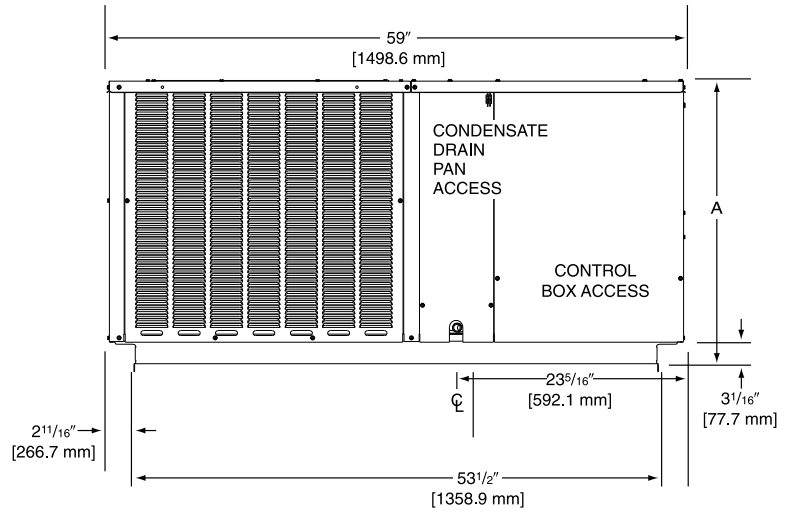
Single Power Supply For Both Unit and Heater Kit													Separate Power Supply For Both Unit and Heater Kit					
Unit Model No. RSPM	Heater Kit											Heater Kit					Heat Pump	
	RXQJ-C Heater Kit Nominal kW	No. of Elements	No. of Sequence Steps	Rated Heater kW @ 208-240 V	Heater KBTU/Hr @ 208-240 V	Heater Amp. @ 208-240 V	Unit Min. Ckt. Ampacity @ 208-240 V	Over Current Protective Device Size		Min. Circuit Ampacity 208-240 V	Max. Fuse Size	Min. Ckt. Ampacity	Min. Circuit Ampacity 208-240 V	Over Current Protective Device Size				
								Min./Max. @ 208 V	Min./Max. @ 240 V					Min./Max. @ 208 V	Min./Max. @ 240 V			
A024J	No Heat	—	—	—	—	—	23/23	30/35	30/35	23/23	—	23/23	30/35	30/35	30/35			
	05J	1	1	3.6/4.8	12.28/16.38	17.33/20	27/31	30/35	35/35	22/25	25/25	—	—	—	—			
	07J	1	1	5.4/7.2	18.42/24.56	26/30	38/43	40/40	45/45	33/38	35/40	—	—	—	—			
	10J	2	1	7.2/9.6	24.57/32.76	34.7/40	49/56	50/50	60/60	44/50	45/50	—	—	—	—			
A030J	No Heat	—	—	—	—	—	24/24	30/35	30/35	24/24	—	24/24	30/35	30/35	30/35			
	05J	1	1	3.6/4.8	12.28/16.38	17.33/20	27/31	30/35	35/35	22/25	25/25	—	—	—	—			
	07J	1	1	5.4/7.2	18.42/24.56	26/30	38/43	40/40	45/45	33/38	35/40	—	—	—	—			
	10J	2	1	7.2/9.6	24.57/32.76	34.7/40	49/56	50/50	60/60	44/50	45/50	—	—	—	—			
A036J	15J	3	2	10.8/14.4	36.85/49.13	52/60	71/81	80/80	90/90	65/75	70/80	—	—	—	—			
	No Heat	—	—	—	—	—	27/27	35/40	35/40	—	—	27/27	35/40	35/40	35/40			
	05J	1	1	3.6/4.8	12.28/16.38	17.33/20	27/31	35/40	35/40	22/25	25/25	—	—	—	—			
	07J	1	1	5.4/7.2	18.42/24.56	26/30	38/43	40/40	45/45	33/38	35/40	—	—	—	—			
A042J A043J	10J	2	1	7.2/9.6	24.57/32.76	34.7/40	49/56	50/50	60/60	44/50	45/50	—	—	—	—			
	15J	3	2	10.8/14.4	36.85/49.13	52/60	71/81	80/80	90/90	65/75	70/80	—	—	—	—			
	20J	4	2	14.4/19.2	49.12/65.52	69.33/80	95/108	100/100	110/110	87/100	90/100	—	—	—	—			
	No Heat	—	—	—	—	—	30/30	35/45	35/45	—	—	30/30	35/45	35/45	35/45			
A048J	05J	1	1	3.6/4.8	12.28/16.38	17.33/20	35/35	40/50	40/50	—	—	35/35	40/50	40/50	40/50			
	07J	1	1	5.4/7.2	18.42/24.56	26/30	40/45	45/45	45/45	22/25	25/25	—	—	—	—			
	10J	2	1	7.2/9.6	24.57/32.76	34.7/40	51/58	60/60	60/60	33/38	35/40	—	—	—	—			
	15J	3	2	10.8/14.4	36.85/49.13	52/60	73/83	80/80	90/90	65/75	70/80	—	—	—	—			
A060J	20J	4	2	14.4/19.2	49.12/65.52	69.33/80	95/108	100/100	110/110	87/100	90/100	—	—	—	—			
	No Heat	—	—	—	—	—	43/43	50/60	50/60	—	—	43/43	50/60	50/60	50/60			
	05J	1	1	3.6/4.8	12.28/16.38	17.33/20	43/43	50/60	50/60	22/25	25/25	—	—	—	—			
	07J	1	1	5.4/7.2	18.42/24.56	26/30	43/47	50/60	50/60	33/38	35/40	—	—	—	—			
	10J	2	1	7.2/9.6	24.57/32.76	34.7/40	53/60	60/60	60/60	44/50	45/50	—	—	—	—			
	15J	3	2	10.8/14.4	36.85/49.13	52/60	75/85	80/80	90/90	65/75	70/80	—	—	—	—			
	20J	4	2	14.4/19.2	49.12/65.52	69.33/80	97/110	100/100	110/110	87/100	90/100	—	—	—	—			

208-240 VOLT, THREE PHASE, 60 HZ, AUXILIARY ELECTRIC HEATER KITS CHARACTERISTICS AND APPLICATION														
Separate Power Supply For Both Unit and Heater Kit														
Single Power Supply For Both Unit and Heater Kit														
Unit Model No. RSPM	RXQJ-C Heater Kit Nominal kW	No. of Elements	No. of Sequence Steps	Rated Heater kW @ 208-240 V	Heater KBTU/Hr @ 208-240 V	Heater Amp. @ 208-240 V	Unit Min. Ckt. Ampacity @ 208-240 V	Over Current Protective Device Size @ 240 V		Heater Kit			Heat Pump	
								Min./Max.	Min./Max.	Min. Ckt. Ampacity	Max. Fuse Size	Min. Circuit Ampacity 208-240 V	Min./Max. @ 208 V	Min./Max. @ 240 V
A036C	No Heat	—	—	—	—	—	22/22	25/30	25/30	—	—	22/22	25/30	25/30
	10C	2	1	7.2/9.6	24.57/32.76	20/23.1	31/34	35/35	35/35	25/29	25/30	—	—	—
	15C	3	2	10.8/14.4	36.85/49.13	30.1/34.7	43/49	45/45	50/50	38/44	40/45	—	—	—
A042C A043C	No Heat	—	—	—	—	—	25/25	30/35	30/35	—	—	25/25	30/35	30/35
	10C	2	1	7.2/9.6	24.57/32.76	20/23.1	33/37	35/35	40/40	25/29	25/30	—	—	—
	15C	3	2	10.8/14.4	36.85/49.13	30.1/34.7	46/51	50/50	60/60	38/44	40/45	—	—	—
	20C	4	2	14.4/19.2	49.12/65.52	40/46.3	58/66	60/60	70/70	50/58	50/60	—	—	—
A048C	No Heat	—	—	—	—	—	27/27	30/40	30/40	—	—	27/27	30/40	30/40
	10C	2	1	7.2/9.6	24.57/32.76	20/23.1	33/37	35/35	40/40	25/29	25/30	—	—	—
	15C	3	2	10.8/14.4	36.85/49.13	30.1/34.7	46/51	50/50	60/60	38/44	40/45	—	—	—
	20C	4	2	14.4/19.2	49.12/65.52	40/46.3	58/66	60/60	70/70	50/58	50/60	—	—	—
A060C	No Heat	—	—	—	—	—	30/30	35/45	35/45	—	—	30/30	35/45	35/45
	10C	2	1	7.2/9.6	24.57/32.76	20/23.1	35/39	35/35	40/40	25/29	25/30	—	—	—
	15C	3	2	10.8/14.4	36.85/49.13	30.1/34.7	48/53	50/50	60/60	38/44	40/45	—	—	—
	20C	4	2	14.4/19.2	49.12/65.52	40/46.3	60/68	60/60	70/70	50/58	50/60	—	—	—

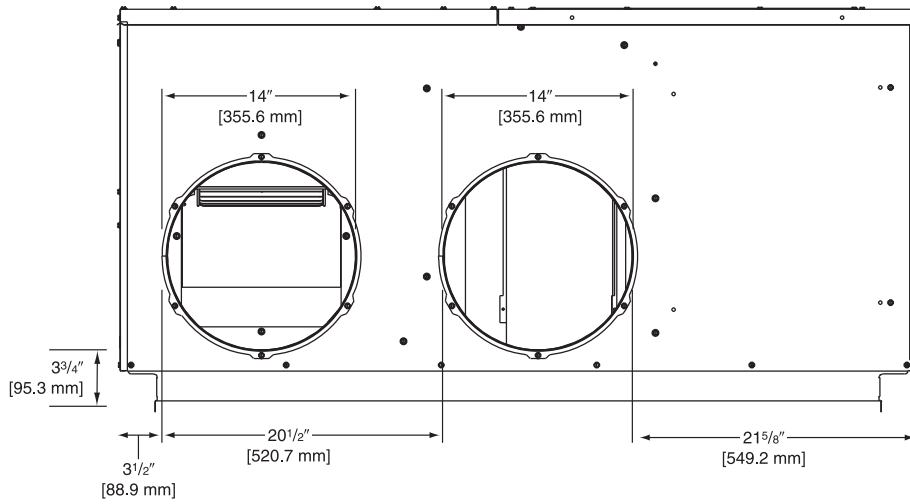
DIMENSIONS

Model	Height "A"
024, 030, 036, 042, 043	29 1/8"
048, 060	37 1/8"

FRONT VIEW

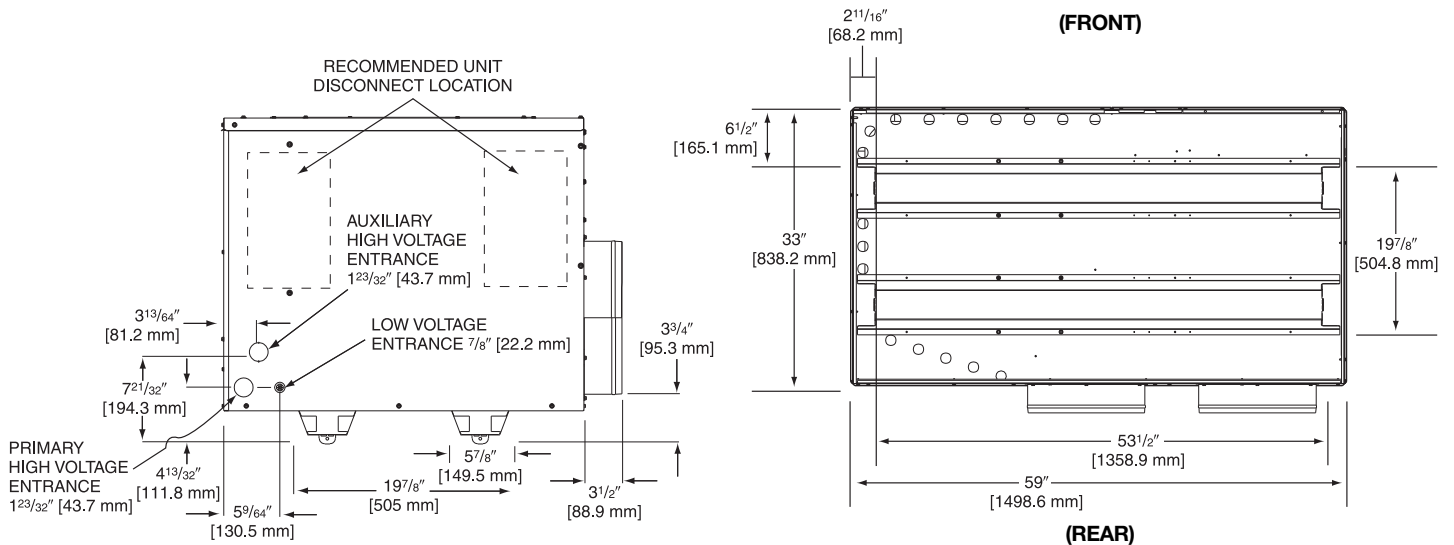


REAR VIEW

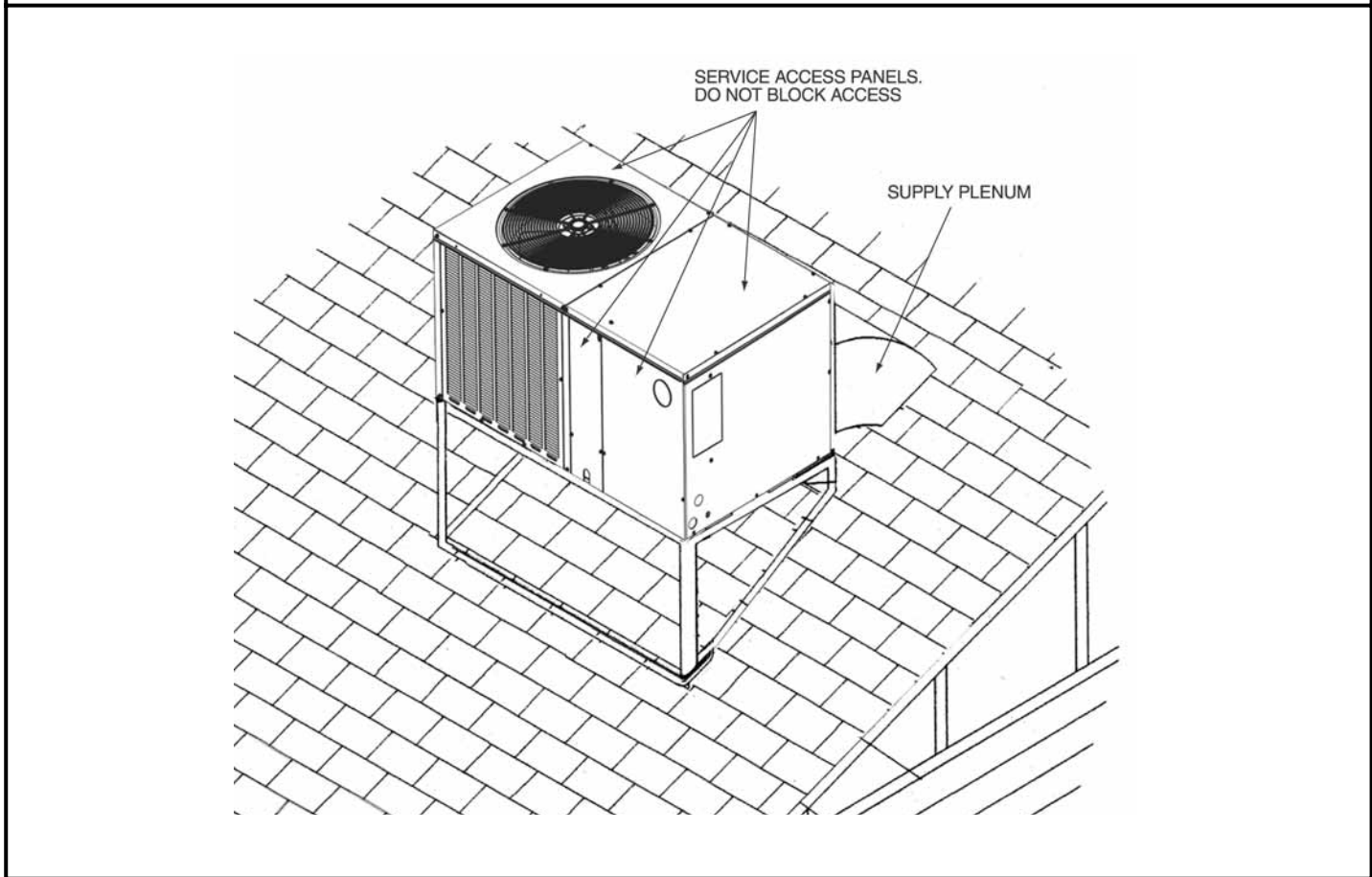
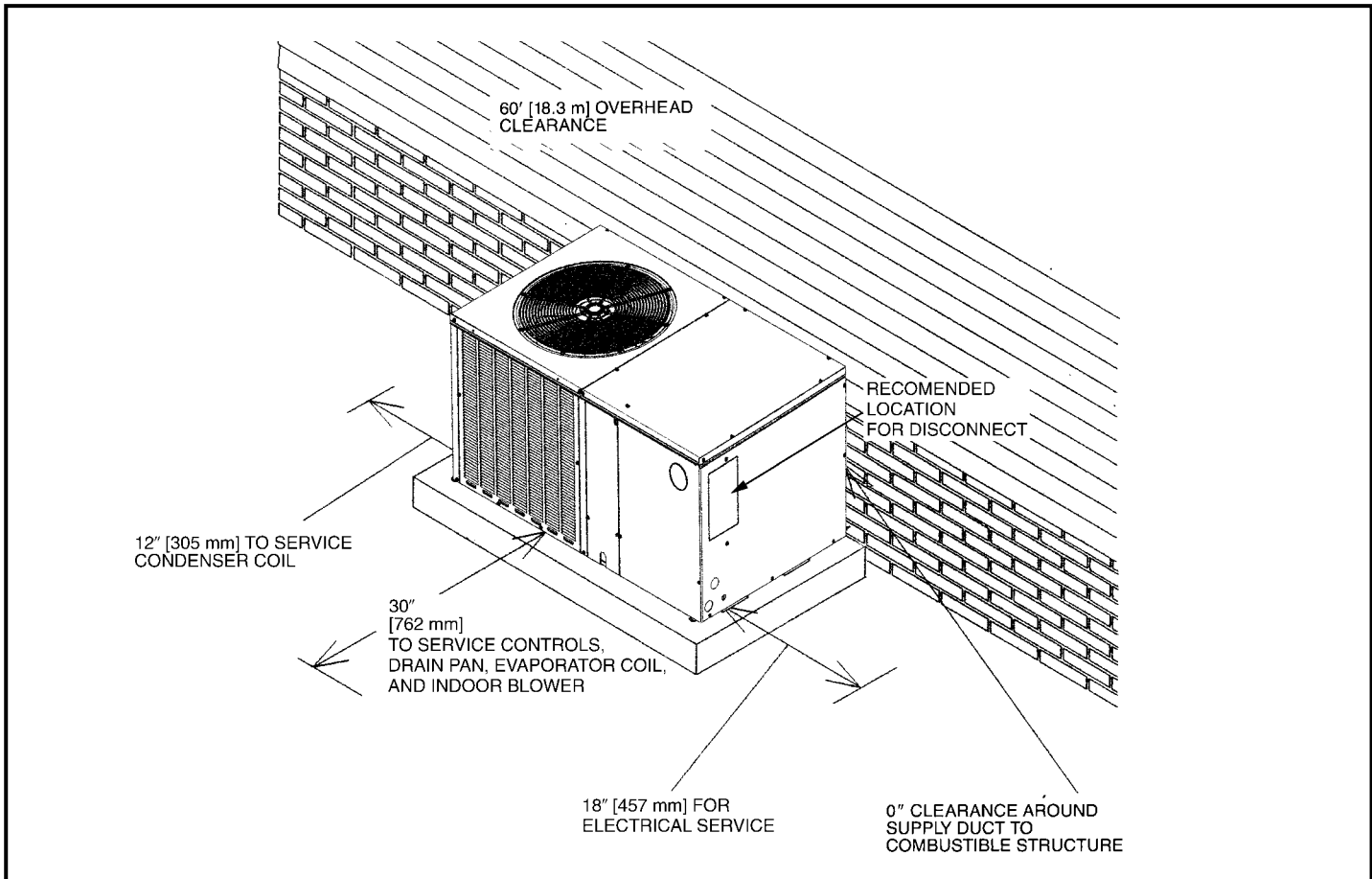


BOTTOM VIEW

ELECTRICAL CONNECTIONS



[] Designates Metric Conversions



[] Designates Metric Conversions

BEFORE PURCHASING THIS APPLIANCE, READ IMPORTANT ENERGY COST AND EFFICIENCY INFORMATION AVAILABLE FROM YOUR RETAILER.

GENERAL TERMS OF LIMITED WARRANTY*

Fujitsu General America, Inc. will furnish a replacement for any part of this product which fails in normal use and service within the applicable periods stated, in accordance with the terms of the limited warranty.

***For complete details of the Limited Warranties, including applicable terms and conditions, contact your local contractor or the Manufacturer for a copy of the product warranty certificate.**

Conditional Parts (Registration Required)

1 Phase, Residential Applications.....Ten (10) Years

Compressor

1 Phase, Residential Applications.....Ten (10) Years

1 & 3 Phase, Commercial Applications.....Five (5) Years

Parts

3 Phase, Commercial Applications.....One (1) Year

Before proceeding with installation, refer to installation instructions packaged with each model, as well as complying with all Federal, State, Provincial, and Local codes, regulations, and practices.

"In keeping with its policy of continuous progress and product improvement, the right is reserved to make changes without notice."